

# PID01

## Pyranometer Insulation Disk

*PID01 electrically isolates pyranometers from their metal mounting platform. Isolation may be useful when the mounting platform does not permit connection of the pyranometer earth ground terminal to the same ground point as the SPD01 or the SCADA system. PID01 also includes spring-loaded fixation for easy pyranometer levelling.*

### Introduction

Hukseflux offers an optional pyranometer insulation disc, PID01. Its purpose is to insulate the pyranometer from the – typically metal – mounting platform. This allows users of Hukseflux industrial pyranometers to use the earthing terminal on the industrial pyranometer to electrically connect the instrument to another ground point.

Using the PID01 disc is the user's own decision, and part of the design of the larger earthing and grounding network, leading to a safe workplace, reliable instrument operation and immunity to surges.

PID01 is compatible with industrial pyranometer models SR300, SR200, SR100 and also with earlier pyranometer models SR30, SR20 and SR15.

The insulation disc is spring-loaded. Once the pyranometer is connected and locked to the disc, the pyranometer can easily be levelled. Levelling is done by turning the two adjustable levelling feet of the pyranometer by hand, using the pyranometer bubble level as a reference.

For more details on the installation: consult the PID01 installation guide as well as the user manual of your pyranometer.

### Included

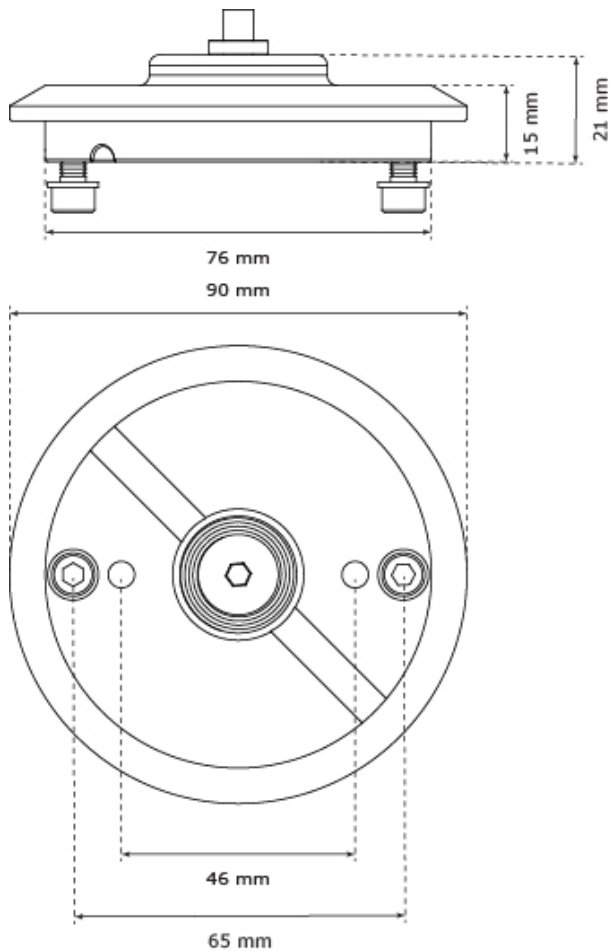
- Insulation disc with spring-loaded pyranometer locking bolt (M6 bolt, 10 mm nut on top, 4 mm hex head)
- 2 x M5x12 bolt with 4 mm hex head.  
Rated mounting plate thickness up to 5 mm, when using included bolts
- 2 x M5 washer



**Figure 1** PID01 Pyranometer Insulation Disk.



**Figure 2** Pyranometer SR200 mounted on a PID01 Pyranometer Insulation Disk.



**Figure 3** PID01 dimensions. The PID01 is mounted using the 2 x M5 bolts at 65 mm or 46 mm hart-to-hart distance. A 4 mm hex key may be used both for the bolts and the spring-loaded levelling. Typically, 3 x 6 mm diameter holes are drilled in the mounting plate, 2 for the bolts and 1 in the centre to reach the spring-loaded pyranometer locking bolt.

### PID01 specifications

Instrument compatibility	Industrial pyranometers SR300, SR200, SR100 (with earthing terminal on instrument) Earlier pyranometer models SR30, SR20, SR15 (no earthing terminal on instrument)
--------------------------	--

### Mechanical

Housing material	Arnite (White PETP)
Rated mounting plate thickness	5 mm max, when using included bolts
Weight	100 grams
Tools required	4 mm, hex key When the center hole at the PID bottom cannot be reached: use a 10 mm spanner

### About Hukseflux

Hukseflux is the leading expert in measurement of energy transfer. We design and manufacture sensors and measuring systems that support the energy transition. We are market leaders in solar radiation and heat flux measurement. Customers are served through our headquarters in the Netherlands, and locally owned representative sales offices in the USA, Brazil, India, China, Southeast Asia and Japan.

Are you interested in this product?  
E-mail us at: [info@hukseflux.com](mailto:info@hukseflux.com)