



# USER MANUAL **SRA20**

Secondary standard albedometer



## Warning statements



Putting more than 12 Volt across the sensor wiring can lead to permanent damage to the sensor.



Do not use "open circuit detection" when measuring the sensor outputs.

DISCONTINUED PRODUCT

## Contents

<b>Warning statements</b>	<b>2</b>
<b>Contents</b>	<b>3</b>
<b>List of symbols</b>	<b>4</b>
<b>Introduction</b>	<b>5</b>
<b>1 Ordering and checking at delivery</b>	<b>8</b>
1.1 Ordering SRA20	8
1.2 Included items	8
1.3 Quick instrument check	9
<b>2 Instrument principle and theory</b>	<b>10</b>
<b>3 Specifications of SRA20</b>	<b>14</b>
3.1 Specifications of SRA20 albedometer	14
3.2 Specifications of SR20 pyranometer	17
3.3 Dimensions of SRA20	19
<b>4 Standards and recommended practices for use</b>	<b>20</b>
4.1 Classification standard	20
4.2 General use for solar radiation measurement	20
4.3 General use for sunshine duration measurement	20
4.4 Specific use in meteorology and climatology	21
<b>5 Installation of SRA20</b>	<b>22</b>
5.1 Site selection and installation	22
5.2 Installation of the sun screen	23
5.3 Electrical connection	24
5.4 Requirements for data acquisition / amplification	25
<b>6 Making a dependable measurement</b>	<b>26</b>
6.1 The concept of dependability	26
6.2 Reliability of the measurement	27
6.3 Speed of repair and maintenance	28
6.4 Uncertainty evaluation	28
<b>7 Maintenance and trouble shooting</b>	<b>31</b>
7.1 Recommended maintenance and quality assurance	31
7.2 Trouble shooting	32
7.3 Calibration and checks in the field	33
7.4 Data quality assurance	34
<b>8 Appendices</b>	<b>36</b>
8.1 Appendix on cable extension / replacement	36
8.2 Appendix on tools for SRA20	37
8.3 Appendix on spare parts for SRA20	37
8.4 Appendix on standards for classification and calibration	38
8.5 Appendix on calibration hierarchy	39
8.6 Appendix on meteorological radiation quantities	40
8.7 Appendix on ISO and WMO classification tables	41
8.8 Appendix on definition of pyranometer specifications	42
8.9 Appendix on terminology / glossary	43
8.10 Appendix on converting resistance to temperature	44
8.11 EC declaration of conformity	45

## List of symbols

### Quantities

	Symbol	Unit
Voltage output	U	V
Sensitivity	S	V/(W/m <sup>2</sup> )
Sensitivity at reference conditions	S <sub>0</sub>	V/(W/m <sup>2</sup> )
Temperature	T	°C
Solar irradiance	E	W/m <sup>2</sup>
Solar radiant exposure	H	W·h/m <sup>2</sup>
Time in hours	h	h

Temperature coefficient	a	1/°C <sup>2</sup>
Temperature coefficient	b	1/°C
Temperature coefficient	c	-

Resistance of Pt100	R <sub>Pt100</sub>	Ω
Pt100 coefficient	A	
Pt100 coefficient	B	

Resistance of 10 kΩ thermistor	R <sub>thermistor</sub>	Ω
Steinhart-Hart coefficient	a	
Steinhart-Hart coefficient	β	
Steinhart-Hart coefficient	γ	

(see also appendix 8.6 on meteorological quantities)

### Subscripts

Measuring downwelling radiation	↓
Measuring upwelling radiation	↑

## Introduction

SRA20 albedometer is an instrument that measures global and reflected solar radiation and the solar albedo, or solar reflectance, with the highest accuracy. It is composed of two SR20 secondary standard pyranometers with thermopile sensors; the upfacing one measuring global solar radiation, the downfacing one measuring reflected solar radiation. SRA20 complies with the latest ISO and WMO standards.

Albedo, also called solar reflectance, is defined as the ratio of the reflected to the global radiation. The solar albedo depends on the directional distribution of incoming radiation and on surface properties at ground level. Albedos of typical surfaces range from about 4 % for fresh asphalt, and 15 % for green grass to 90 % for fresh snow.

Albedometers are used for general meteorological observations, building physics, roof reflectance studies, climate studies and solar collector testing. A common application is for outdoor solar radiation balance measurements as part of a meteorological station. This application requires horizontal levelling; a bubble level and a mounting rod are included. We recommend to use SRA20 in particular in applications where the highest measurement accuracy is required.



**Figure 0.1** *SRA20 secondary standard albedometer*

SRA20 consists of two identical pyranometers model SR20, one facing up, one facing down. The albedometer body is equipped with a  $15 \times 10^{-3}$  m diameter rod for mounting purposes. A sun screen is part of the delivery too. SRA20, including its sun screen fixation, connector and desiccant holder, is very robust. The albedometer has an incorporated heater. SRA20 can be ordered optionally with longer cable, and with a Pt100 temperature sensor instead of an internal heater and instead of a  $10 \text{ k}\Omega$  thermistor.

Using SRA20 is easy. SRA20's analogue output is in millivolt and SRA20 can be connected directly to commonly used datalogging systems. The upfacing SR20 pyranometer measures global solar radiation, the downfacing SR20 pyranometer measures reflected solar radiation. The irradiance in W/m<sup>2</sup> in each direction is calculated by dividing the pyranometer output, a small voltage, by the sensitivity. The sensitivity of both pyranometers is provided on the SRA20 product certificate.

The central equation governing both pyranometers of SRA20 is:

$$E = U/S \quad \text{(Formula 0.1)}$$

SRA20's low temperature dependence makes it an ideal candidate for use under very cold and very hot conditions. The temperature dependence of every individual instrument is tested and supplied as a second degree polynomial. This information can be used for further reduction of temperature dependence during post-processing. In case the sensitivity is corrected for the instrument body temperature, the optional measurement equation becomes:

$$E = U/(S_0 \cdot (a \cdot T^2 + b \cdot T + c)) \quad \text{(Formula 0.2)}$$

The temperature coefficients a, b, and c can be found on the calibration certificate of each instrument.

SRA20 is equipped with an internal temperature sensor. This can be either a Pt100 (T1 version) or a 10 kΩ thermistor (T2 version), as ordered. To calculate temperature in degrees Celsius from resistance in Ohms, Formula 8.10.1 or 8.10.2 can be used. See the dedicated chapter in the appendix of this manual for these equations.

The albedo is calculated by dividing the reflected radiation by the global radiation. The following equations apply. For terminology: see also the appendix on meteorological radiation quantities.

Upfacing and downfacing pyranometers, global and reflected solar radiation:

$$E_{g \downarrow h} = U/S \quad \text{(Formula 0.3)}$$

or

$$E_{g \downarrow h} = U/(S_0 \cdot (a \cdot T^2 + b \cdot T + c)) \quad \text{(Formula 0.4)}$$

$$E_{r \uparrow} = U/S \quad \text{(Formula 0.5)}$$

or

$$E_{r \uparrow} = U/(S_0 \cdot (a \cdot T^2 + b \cdot T + c)) \quad \text{(Formula 0.6)}$$

Net solar radiation and albedo:

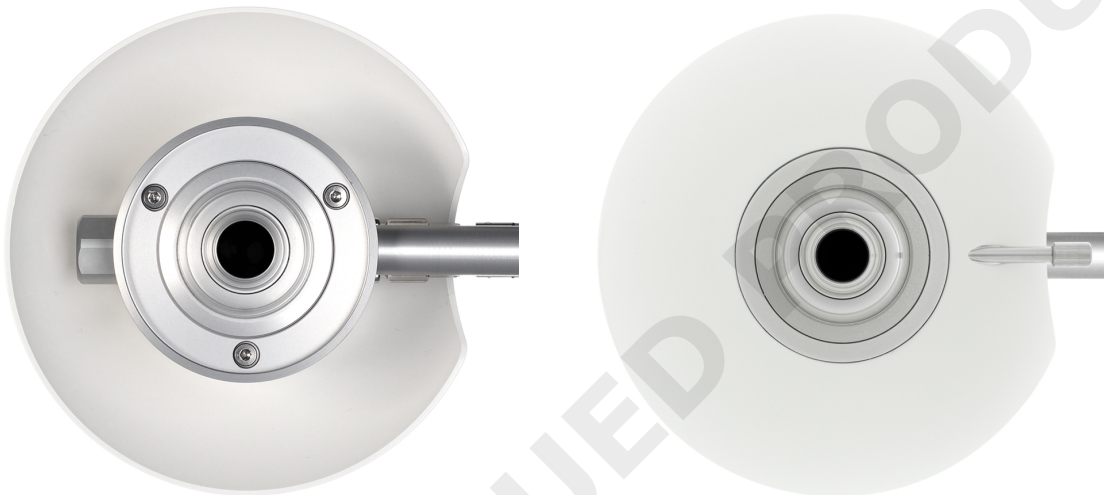
$$E_{g^*} = E_{g \downarrow h} - E_{r \uparrow} \quad \text{(Formula 0.7)}$$

$$\text{Albedo} = E_{r \uparrow} / E_{g \downarrow h} \quad \text{(Formula 0.8)}$$

The uncertainty of a measurement under outdoor conditions depends on many factors. Guidelines for uncertainty evaluation according to the "Guide to Expression of Uncertainty in Measurement" (GUM) can be found in our manuals. We provide spreadsheets to assist in the process of uncertainty evaluation of your measurement.

Suggested use for SRA20 albedometer:

- high-accuracy meteorological observations
- building physics, roof reflectance studies
- extreme climates (tropical / polar)



**Figure 0.2** SRA20 secondary standard albedometer, seen from below and from above

SRA20 is a secondary standard albedometer for high-accuracy measurement. For lower accuracy albedo measurement, please take a look at [SRA01](#) second class albedometer. An alternative instrument is [NR01](#), for solar and longwave radiation balance.

The instrument should be used in accordance with the recommended practices of ISO, WMO and ASTM. Applicable instrument-classification standards are ISO 9060 and WMO-No. 8. Calibration is according to ISO 9847 and ASTM G207-11.

WMO has approved the "pyranometric method" to calculate sunshine duration from pyranometer measurements in WMO-No. 8, Guide to Meteorological Instruments and Methods of Observation. This implies that the upfacing SR20 pyranometer may be used, in combination with appropriate software, to estimate sunshine duration. This is much more cost-effective than using a dedicated sunshine duration sensor. Ask for our application note.

# 1 Ordering and checking at delivery

## 1.1 Ordering SRA20

The standard configuration of SRA20 is with an incorporated heater and a 10 k $\Omega$  temperature sensor (SRA20-T2). Standard cable length is 5 metres.

Common options are:

- longer cable (in multiples of 5 m), cable lengths above 20 m in multiples of 10 m. specify total cable length.
- with an internal Pt100 temperature sensor, without an internal heater and without a 10 k $\Omega$  thermistor. specify SRA20-T1.
- 10 silica gel bags in an air-tight bag for the SRA20 desiccant holder. specify order number DC01.

## 1.2 Included items

Arriving at the customer, the delivery should include:

- albedometer SRA20
- sun screen
- mounting rod
- cable of the length as ordered
- any other option as ordered
- product certificate matching the instrument serial number (including temperature response and directional response test)

Please store the certificate in a safe place.



**Figure 1.2.1** SRA20 secondary standard albedometer, with and without its sun screen



### 1.3 Quick instrument check

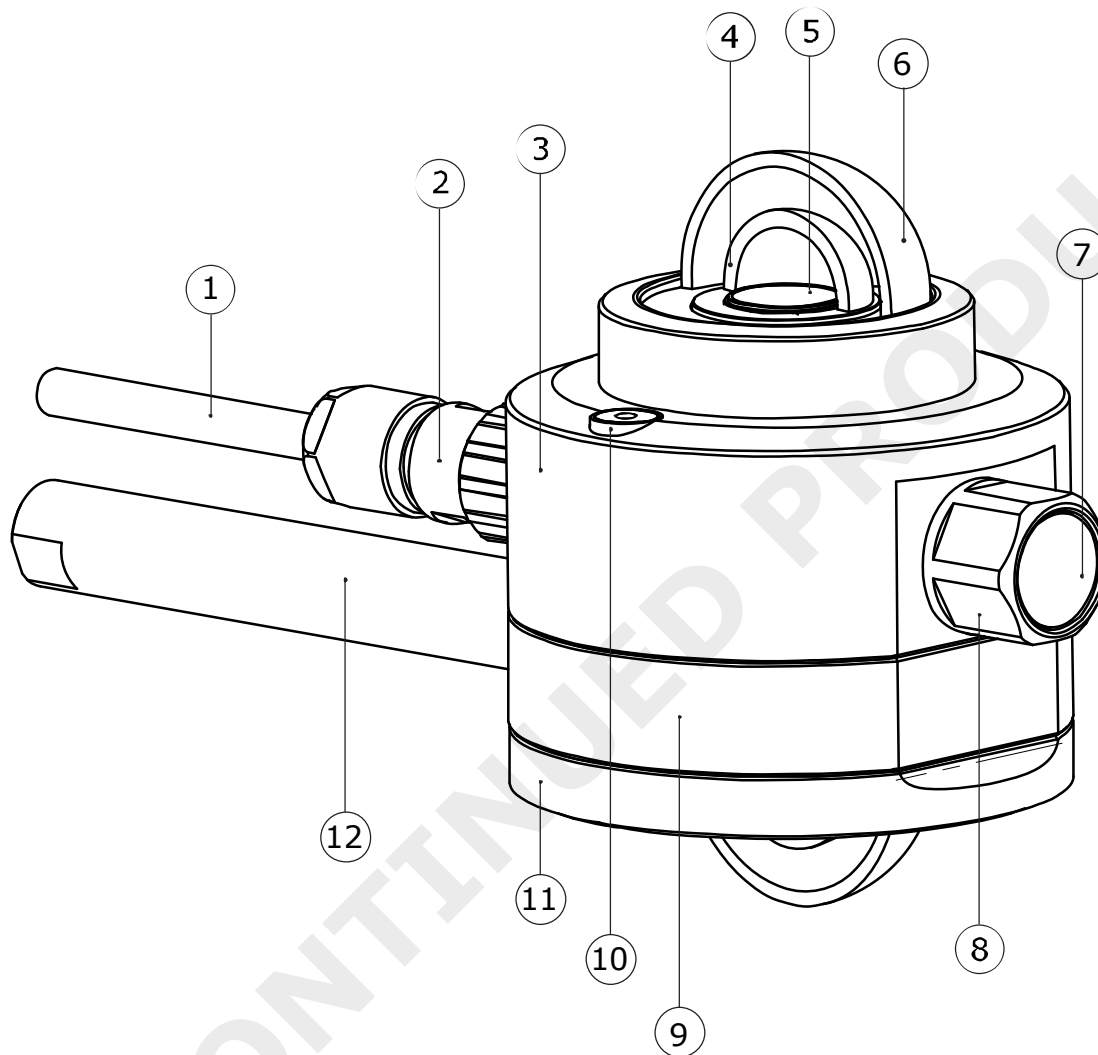
General checks:

1. Inspect the instrument for any damage.
2. Inspect the bubble level.
3. Check the instrument serial numbers against the certificates supplied with the instrument.

A quick test of both pyranometers can be done by using a simple hand held multimeter and a lamp.

4. Check the electrical resistance of the upfacing sensor between the green (-) and white (+) wire, and for the downfacing sensor between the grey (-) and pink (+) wire. Use a multimeter at the 1000  $\Omega$  range. Measure the sensor resistance first with one polarity, than reverse the polarity. Take the average value. The typical resistance of the wiring is 0.1  $\Omega$ /m. Typical resistance should be the typical sensor resistance of 50 to 100  $\Omega$  plus 1.5  $\Omega$  for the total resistance of two wires (back and forth) of each 5 m. Infinite resistance indicates a broken circuit; zero or a low resistance indicates a short circuit.
5. Check if the sensors react to light: put the multimeter at its most sensitive range of DC voltage measurement, typically the 100 x 10<sup>-3</sup> VDC range or lower. Expose the sensors to a strong light source, for instance a 100 W light bulb at 0.1 m distance. The signal should read > 2 x 10<sup>-3</sup> V now. Darken the sensors either by putting something over it or switching off the light. The instrument voltage output should go down and within one minute approach 0 V.
6. Remove the sun screen, (see chapter on installation of the sun screen). Inspect the bubble level.
7. Inspect the instrument for any damage.
8. Inspect if the humidity indicator is blue. The colour pink indicates it is humid: in the latter case replace the desiccant (see chapter on maintenance).

## 2 Instrument principle and theory



**Figure 2.1** Overview of SRA20:

- (1) cable
- (2) connector
- (3) upfacing pyranometer body
- (4) inner dome
- (5) thermal sensor with black coating
- (6) outer dome
- (7) humidity indicator
- (8) desiccant holder
- (9) albedometer body
- (10) bubble level
- (11) downfacing pyranometer body with glare screen
- (12) mounting rod

SRA20's scientific name is albedometer. The albedometer consists of two model SR20 pyranometers, mounted back to back. A pyranometer measures the solar radiation received by a plane surface from a 180 ° field of view angle. This quantity, expressed in  $W/m^2$ , is called "hemispherical" solar radiation.

In general, SRA20 is mounted horizontally. Measuring in the horizontal plane, downward solar radiation is called global solar radiation, upward solar radiation is called reflected solar radiation. The solar radiation spectrum extends roughly from 285 to  $3000 \times 10^{-9}$  m. By definition a pyranometer should cover that spectral range with a spectral selectivity that is as "flat" as possible.

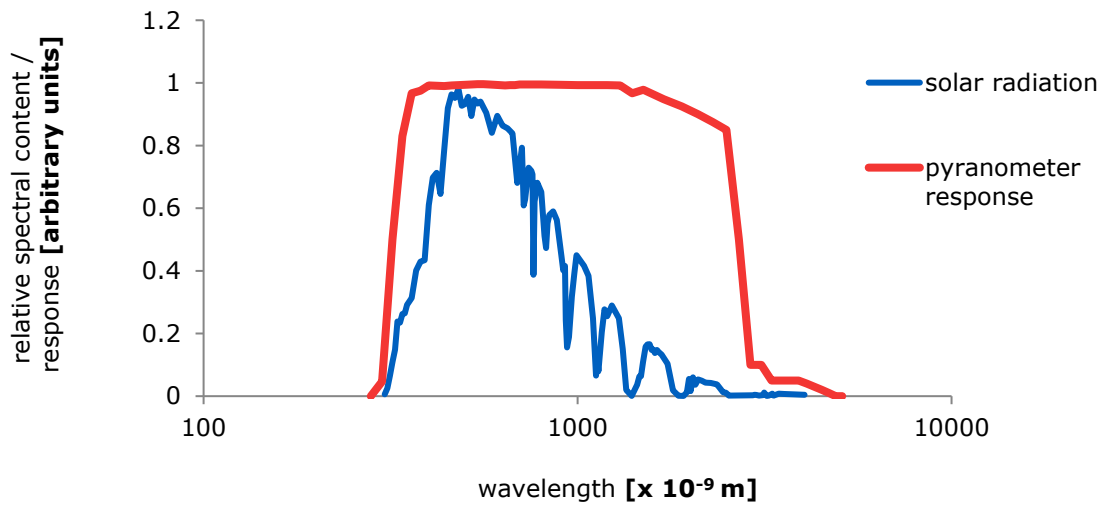
In an irradiance measurement by definition the response to "beam" radiation varies with the cosine of the angle of incidence; i.e. it should have full response when the solar radiation hits the sensor perpendicularly (normal to the surface, sun at zenith, 0 ° angle of incidence), zero response when the sun is at the horizon (90 ° angle of incidence, 90 ° zenith angle), and 50 % of full response at 60 ° angle of incidence.

A pyranometer should have a so-called "directional response" (older documents mention "cosine response") that is as close as possible to the ideal cosine characteristic.

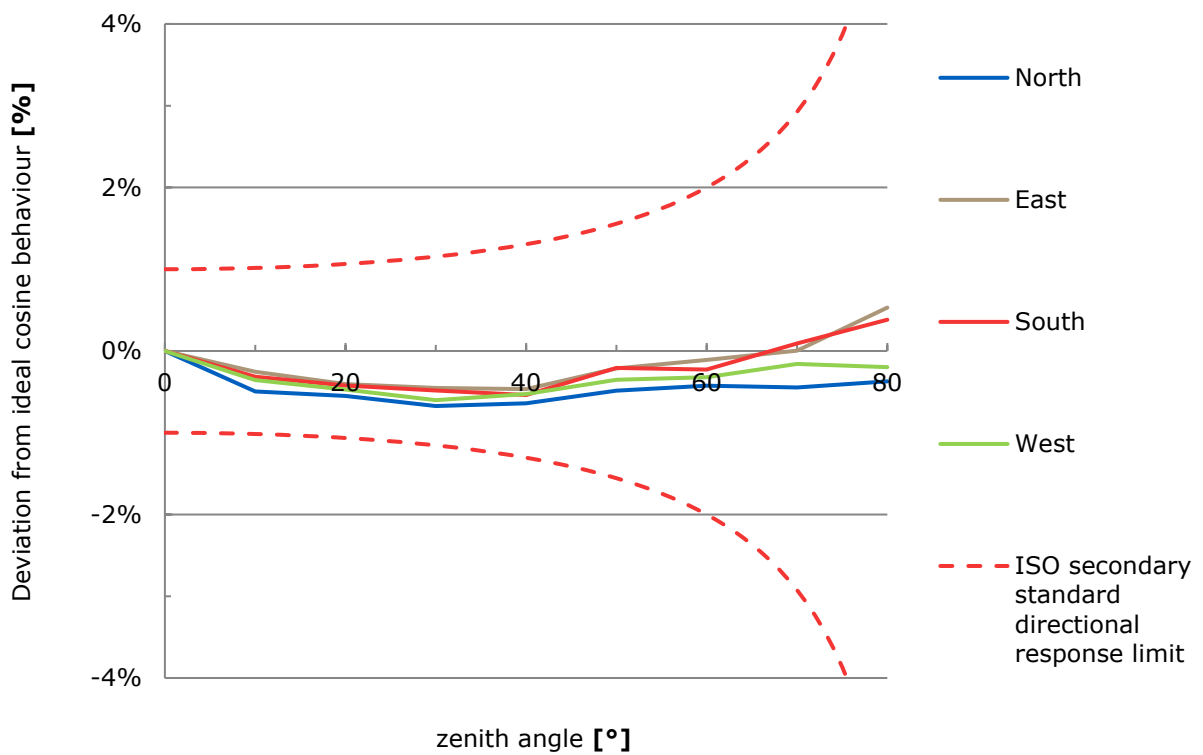
In order to attain the proper directional and spectral characteristics, a pyranometer's main components are:

- a thermal sensor with black coating. It has a flat spectrum covering the 200 to  $50000 \times 10^{-9}$  m range, and has a near-perfect directional response. The coating absorbs all solar radiation and, at the moment of absorption, converts it to heat. The heat flows through the sensor to the sensor body. The thermopile sensor generates a voltage output signal that is proportional to the solar irradiance.
- a glass dome. This dome limits the spectral range from 285 to  $3000 \times 10^{-9}$  m (cutting off the part above  $3000 \times 10^{-9}$  m), while preserving the 180° field of view angle. Another function of the dome is that it shields the thermopile sensor from the environment (convection, rain).
- a second (inner) glass dome: For a secondary standard pyranometer, two domes are used, and not one single dome. This construction provides an additional "radiation shield", resulting in a better thermal equilibrium between the sensor and inner dome, compared to using a single dome. The effect of having a second dome is a strong reduction of instrument offsets.

Pyranometers can be manufactured to different specifications and with different levels of verification and characterisation during production. The ISO 9060 - 1990 standard, "Solar energy - specification and classification of instruments for measuring hemispherical solar and direct solar radiation", distinguishes between 3 classes; secondary standard (highest accuracy), first class (second highest accuracy) and second class (third highest accuracy). SR20 is a secondary standard pyranometer.



**Figure 2.2** Spectral response of the pyranometer compared to the solar spectrum. The pyranometer only cuts off a negligible part of the total solar spectrum.



**Figure 2.3** Directional response of a SR20 pyranometer of 4 azimuth angles, compared to secondary standard limits

The uncertainty of a measurement under outdoor conditions depends on many factors. Guidelines for uncertainty evaluation according to the "Guide to Expression of Uncertainty in Measurement" (GUM) can be found in our manuals. We provide spreadsheets to assist in the process of uncertainty evaluation of your measurement. It is important to realise that the uncertainty of the measurement is not only determined by the instrument but also by the way it is used. See also ISO 9060 note 5. In case of pyranometers the measurement uncertainty as obtained during outdoor measurements is a function of:

- the instrument class (applicable to pyranometers)
- the calibration procedure / uncertainty
- the duration of instrument employment under natural sunlight (involving the instrument stability specification)
- the measurement conditions (such as tilting, ventilation, shading, instrument temperature)
- maintenance (mainly fouling)
- the environmental conditions\* (such as temperature, position of the sun, presence of clouds, horizon, representativeness of the location). For pyrgeometers, this also involves the presence of natural sunlight which produces a solar offset)

Therefore statements about the overall measurement uncertainty under outdoor conditions can only be made on an individual basis, taking all these factors into account.

\* defined at Hukseflux as all factors outside the instrument that are relevant to the measurement such as the cloud cover (presence or absence of direct radiation), sun position, the local horizon (which may be obstructed) or condition of the ground (when tilted). The environmental conditions also involve the question whether or not the measurement at the location of measurement is representative of the quantity that should be measured.

## 3 Specifications of SRA20

### 3.1 Specifications of SRA20 albedometer

SRA20 albedometer is an instrument that measures global and reflected solar radiation, the solar albedo, or solar reflectance, and net solar radiation with the highest accuracy. It is composed of two secondary standard pyranometers with thermopile sensors, model SR20, mounted back to back, the upper one measuring global radiation, the lower one measuring reflected solar radiation. Working completely passive, using a thermopile sensor, the sensors generate a small output voltage proportional to these fluxes. An optional measurand is sunshine duration.

SRA20 can only be used in combination with a suitable measurement system. SRA20 complies with the latest ISO and WMO standards and should be used in accordance with the recommended practices of ISO, IEC, WMO and ASTM.

In its T2 version, SRA20 has an onboard heater and a thermistor. In its T1 version, a Pt100 temperature sensor instead. Heating the sensor, measuring the body temperature and using the correction of the temperature response, all contribute to the dependability and accuracy of the measurement. However, also when not using these features, SRA20 still complies with the secondary standard requirements. The instrument should be used in accordance with the recommended practices of ISO, IEC, WMO and ASTM.

**Table 3.1.1** *Specifications of SRA20 (continued on next pages)*

<b>SRA20 GENERAL SPECIFICATIONS</b>	
Product type	albedometer
Included sensors	2 x identical ISO 9060 secondary standard pyranometer model SR20 (see separate specification table)
Required sensor power	zero (passive sensor)
Temperature sensor	included (Pt100 internal temperature sensor with T1 version, 10 k $\Omega$ thermistor and heater with T2 version)
Internal heater	T2 version only
Rated operating temperature range	-40 to +80 °C
Rated operating relative humidity range	0 to 100 %
Output	analogue millivolt
Required readout	2 x differential voltage channel or 2 x single ended voltage channel, input resistance > 10 <sup>6</sup> $\Omega$
Standards governing use of the instrument	ISO/TR 9901:1990 Solar energy -- Field pyranometers -- Recommended practice for use ASTM G183-15 Standard Practice for Field Use of Pyranometers, Pyrhemimeters and UV Radiometers WMO-No. 8, Guide to Meteorological Instruments and Methods of Observation, seventh edition 2008, paragraph 7.3 "measurement of global and diffuse solar radiation", 7.3.3.4 "installation of pyranometers for measuring reflected solar radiation"

**Table 3.1.1** Specifications of SRA20 (started on previous page)

<b>SRA20 MEASURANDS</b>	
Measurand upfacing pyranometer	global solar radiation
Measurand in SI units	irradiance in W/m <sup>2</sup>
Measurement function / required programming global solar irradiance	$E_g \downarrow h = U/S$
Optional measurement function / required programming for global solar irradiance with correction of sensitivity as a function of instrument body temperature	$E_g \downarrow h = U/(S_0 \cdot (a \cdot T^2 + b \cdot T + c))$
Measurand downfacing pyranometer	reflected solar radiation
Measurand in SI units	irradiance in W/m <sup>2</sup>
Measurement function / required programming reflected solar irradiance	$E_r \uparrow = U/S$
Optional measurement function / required programming for reflected solar irradiance with correction of sensitivity as a function of instrument body temperature	$E_r \uparrow = U/(S_0 \cdot (a \cdot T^2 + b \cdot T + c))$
Optional measurand	albedo or solar reflectance
Optional measurand in SI units	albedo or solar reflectance in (W/m <sup>2</sup> )/(W/m <sup>2</sup> )
Measurement function / required programming albedo	albedo = solar reflectance = $E_r \uparrow / E_g \downarrow h$
Expected measurement interval of albedo	from about 4 % for fresh asphalt, and 15 % for green grass to 90 % for fresh snow
Optional measurand upfacing pyranometer	sunshine duration
Optional measurand in SI units	sunshine duration in h
Measurement function / optional programming sunshine duration	programming according to WMO guide paragraph 8.2.2
Optional measurand	net solar radiation
Optional measurand in SI units	irradiance in W/m <sup>2</sup>
Measurement function / required programming net solar radiation	$E_g^* = E_g \downarrow h - E_r \uparrow$
<b>SRA20 MOUNTING, CABLING, TRANSPORT</b>	
Standard cable length (see options)	5 m
Cable diameter	$5.3 \times 10^{-3}$ m
Cable replacement	replacement cables with connector can be ordered separately from Hukseflux
Instrument mounting	SRA20 has a bubble level and $15 \times 10^{-3}$ m diameter mounting rod for horizontal mounting and levelling WMO-No. 8, Guide to Meteorological Instruments and Methods of Observation, seventh edition 2008, paragraph 7.3.3.4 "installation of pyranometers for measuring reflected solar radiation" recommends a height of 1 to 2 m above the soil surface.
Levelling	Bubble level and a $15 \times 10^{-3}$ m diameter mounting rod are included
Levelling accuracy	< 0.1 ° bubble entirely in ring
Desiccant	two bags of silica gel, 0.5 g, 35 x 20 mm
Humidity indicator	blue when dry, pink when humid
IP protection class	IP67
Gross weight including 5 m cable	1.1 kg
Net weight including 5 m cable	1.6 kg
Packaging	box of (150 x 150 x 600) mm

**Table 3.1.1** *Specifications of SRA20 (started on previous page)*

<b>HEATING (T2 VERSION ONLY)</b>	
Heater operation	the heater is not necessarily switched on; recommended operation is to activate the heater when the sun is below the horizon
Required heater power	1.5 W at 12 VDC (the heater is not necessarily active)
Heater resistance	95 $\Omega$
Steady state zero offset caused by heating	0 to -8 W/m <sup>2</sup>
<b>CALIBRATION</b>	
Calibration traceability solar	to WRR (see SR20 for details)
Validity of calibration	based on experience the instrument sensitivity will not change during storage. During use under exposure to solar radiation the instrument "non-stability" specification is applicable.
Recommended recalibration interval	2 years
<b>MEASUREMENT ACCURACY</b>	
Uncertainty of the measurement	statements about the overall measurement uncertainty can only be made on an individual basis. See the chapter on uncertainty evaluation
<b>VERSIONS / OPTIONS</b>	
longer cable, in multiples of 5 m, cable lengths above 20 m in multiples of 10 m	option code = total cable length
SRA20 equipped with a Pt100 temperature sensor	option code = T1, whereas the standard SRA20-T2 is with a 10 k $\Omega$ thermistor and with an internal heater
<b>ACCESSORIES</b>	
Bags of silica gel for desiccant	10 bags in an air tight bag option code = DC01

Continue to the next pages for specifications of SR20 pyranometer.



## 3.2 Specifications of SR20 pyranometer

SR20 pyranometer measures the solar radiation received by a plane surface from a from a 180° field of view angle. This quantity, expressed in W/m<sup>2</sup>, is called “hemispherical” solar radiation. SRA20, in which 2 x SR20 are incorporated, is typically mounted horizontally. Measuring in the horizontal plane, downward solar radiation is called global solar radiation, upward solar radiation is called reflected solar radiation. Working completely passive, using a thermopile sensor, SR20 generates a small output voltage proportional to this flux. It can only be used in combination with a suitable measurement system. The instrument is classified according to ISO 9060 and should be used in accordance with the recommended practices of ISO, IEC, WMO and ASTM.

**Table 3.2.1** *Specifications of SR20 pyranometer (continued on next page)*

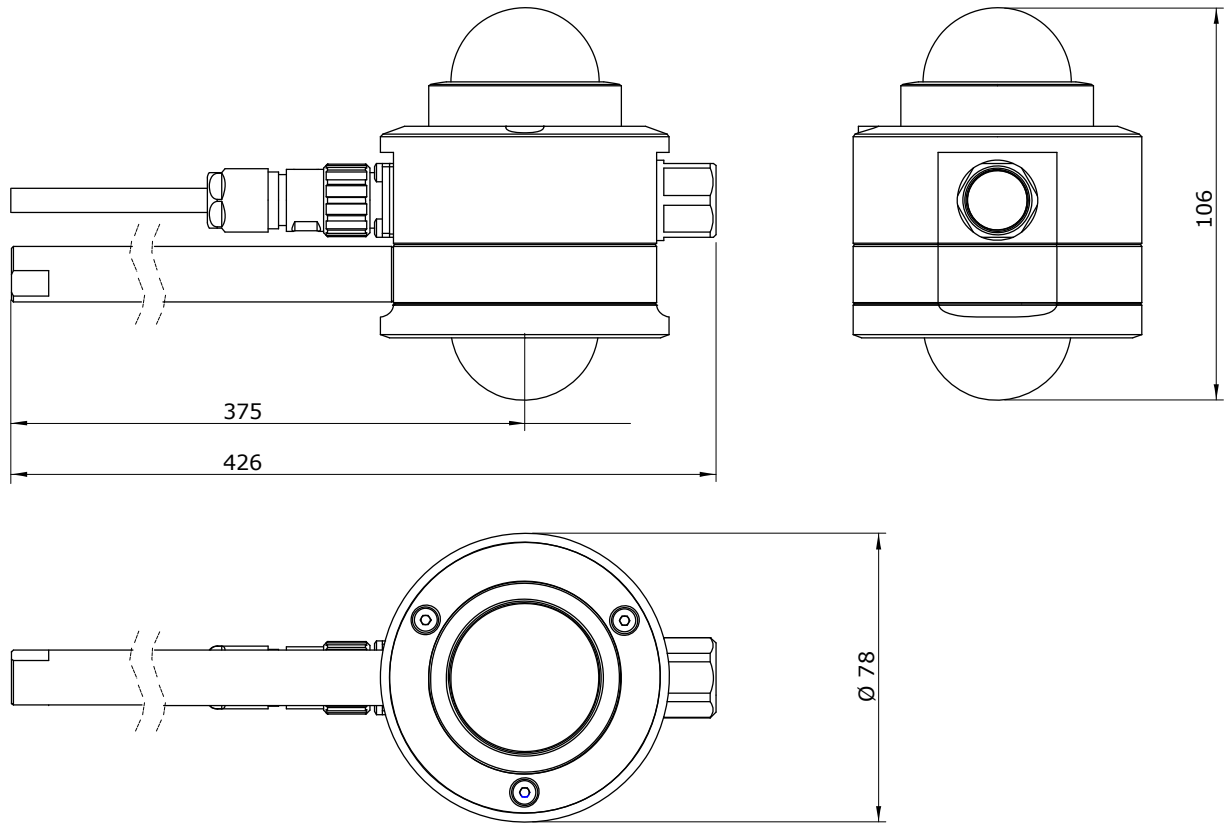
<b>SR20 PYRANOMETER MEASUREMENT SPECIFICATIONS: LIST OF CLASSIFICATION CRITERIA OF ISO 9060*</b>	
ISO classification (ISO 9060: 1990)	secondary standard pyranometer
WMO performance level (WMO-No-8, seventh edition 2008)	high quality pyranometer
Response time (95 %)	3 s
Zero offset a (response to 200 W/m <sup>2</sup> net thermal radiation)	5 W/m <sup>2</sup> unventilated
Zero offset b (response to 5 K/h change in ambient temperature)	< ± 2 W/m <sup>2</sup>
Non-stability	< ± 0.5 % change per year
Non-Linearity	< ± 0.2 % (100 to 1000 W/m <sup>2</sup> )
Directional response	< ± 10 W/m <sup>2</sup>
Directional response test of individual upfacing instrument only	report included
Spectral selectivity	< ± 3 % (0.35 to 1.5 x 10 <sup>-6</sup> m)
Temperature response	< ± 1 % (-10 to +40 °C) < ± 0.4 % (-30 to +50 °C) with correction in data-processing
Temperature response of individual instrument	report included
Tilt response	< ± 0.2 % (0 to 90 ° at 1000 W/m <sup>2</sup> )

\*For the exact definition of pyranometer ISO 9060 specifications see the appendix.

**Table 3.2.1** Specifications of SR20 pyranometer (continued)

<b>SR20 PYRANOMETER ADDITIONAL SPECIFICATIONS</b>	
Measurand	global and reflected solar radiation
Measurand in SI radiometry units	irradiance in W/m <sup>2</sup>
Field of view angle	180°
Measurement range	0 to 4000 W/m <sup>2</sup>
Sensitivity range	7 to 25 x 10 <sup>-6</sup> V/(W/m <sup>2</sup> )
Sensitivity (nominal)	15 x 10 <sup>-6</sup> V/(W/m <sup>2</sup> )
Expected voltage output	application under natural solar radiation: -0.1 to + 50 x 10 <sup>-6</sup> V
Measurement function / required programming	$E = U/S$
Optional measurement function / required programming for correction of sensitivity as a function of instrument body temperature	$E = U/(S_0 \cdot (a \cdot T^2 + b \cdot T + c))$
Sensor resistance range	50 to 100 $\Omega$
Required sensor power	zero (passive sensor)
Spectral range (20 % transmission points)	285 to 3000 x 10 <sup>-9</sup> m
<b>CALIBRATION</b>	
Calibration traceability	to WRR
Calibration hierarchy	from WRR through ISO 9846 and ISO 9847, applying a correction to reference conditions
Calibration method	indoor calibration according to ISO 9847, Type IIc
Calibration uncertainty	< 1.2 % (k = 2)
Reference conditions	20° C, normal incidence solar radiation, horizontal mounting, irradiance level 1000 W/m <sup>2</sup>
<b>MEASUREMENT ACCURACY</b>	
Uncertainty of the measurement	statements about the overall measurement uncertainty can only be made on an individual basis. See the chapter on uncertainty evaluation
WMO estimate on achievable accuracy for daily sums (see appendix for a definition of the measurement conditions)	2 %
WMO estimate on achievable accuracy for hourly sums (see appendix for a definition of the measurement conditions)	3 %

### 3.3 Dimensions of SRA20



**Figure 3.3.1** Dimensions of SRA20 in  $10^{-3}$  m. The mounting rod has a  $15 \times 10^{-3}$  m diameter

## 4 Standards and recommended practices for use

Pyranometers are classified according to the ISO 9060 standard and the WMO-No. 8 Guide. In any application the instrument should be used in accordance with the recommended practices of ISO, IEC, WMO and / or ASTM.

### 4.1 Classification standard

**Table 4.1.1** Standards for pyranometer classification. See the appendix for definitions of pyranometer specifications, and a table listing the specification limits.

STANDARDS FOR INSTRUMENT CLASSIFICATION		
ISO STANDARD	EQUIVALENT ASTM STANDARD	WMO
ISO 9060:1990 Solar energy -- specification and classification of instruments for measuring hemispherical solar and direct solar radiation	Not available	WMO-No. 8; Guide to Meteorological Instruments and Methods of Observation, chapter 7, measurement of radiation, 7.3 measurement of global and diffuse solar radiation

### 4.2 General use for solar radiation measurement

**Table 4.2.1** Standards with recommendations for instrument use in solar radiation measurement

STANDARDS FOR INSTRUMENT USE FOR HEMISPHERICAL SOLAR RADIATION		
ISO STANDARD	EQUIVALENT ASTM STANDARD	WMO
ISO/TR 9901:1990 Solar energy -- Field pyranometers -- Recommended practice for use	ASTM G183-15 Standard Practice for Field Use of Pyranometers, Pyrhemometers and UV Radiometers	WMO-No. 8; Guide to Meteorological Instruments and Methods of Observation, chapter 7, measurement of radiation, 7.3 measurement of global and diffuse solar radiation

### 4.3 General use for sunshine duration measurement

According to the World Meteorological Organization (WMO, 2003), sunshine duration during a given period is defined as the sum of that sub-period for which the direct solar irradiance exceeds 120 W/m<sup>2</sup>.

WMO has approved the “pyranometric method” to estimate sunshine duration from pyranometer measurements (Chapter 8 of the WMO Guide to Instruments and Observation, 2008). This implies that a pyranometer may be used, in combination with appropriate software, to estimate sunshine duration. Ask for our application note.

**Table 4.3.1** *Standards with recommendations for instrument use in sunshine duration measurement*

---

**STANDARDS FOR INSTRUMENT USE FOR SUNSHINE DURATION**

---

WMO

---

WMO-No. 8; Guide to Meteorological Instruments and Methods of Observation, chapter 8, measurement of sunshine duration, 8.2.2 Pyranometric Method

---

#### **4.4 Specific use in meteorology and climatology**

The World Meteorological Organization (WMO) is a specialised agency of the United Nations. It is the UN system's authoritative voice on the state and behaviour of the earth's atmosphere and climate. WMO publishes WMO-No. 8; Guide to Meteorological Instruments and Methods of Observation, in which a table is included on “level of performance” of pyranometers. Nowadays WMO conforms itself to the ISO classification system.

## 5 Installation of SRA20

### 5.1 Site selection and installation

**Table 5.1.1** *Recommendations for installation of SRA20*

Location	the horizon should be as free from obstacles as possible. Ideally there should be no objects between the course of the sun and the instrument. The soil surface should be representative of the area under observation.
Mechanical mounting / thermal insulation	SRA20 is equipped with a horizontal mounting rod. The rod has a $15 \times 10^{-3}$ m diameter. Do not mount the instrument on objects that become very hot (black coated metal plates).
Levelling	Use the bubble level on the instrument. The instrument may be rotated around the axis of the arm on which it is mounted. The arm itself may be tilted to attain a perfectly level position.
Instrument orientation	by convention with the cable exit pointing to the nearest pole (so the cable exit should point north in the northern hemisphere, south in the southern hemisphere).
Installation height	WMO recommends a distance of 1.5 to 2 m between soil surface and downfacing sensors (reducing the effect of shadows and in order to obtain good spatial averaging).

## 5.2 Installation of the sun screen

The upward facing pyranometer has a removable sun screen. SRA20's sun screen can be installed and removed by using the dedicated thumb screw. The thumb screw can be turned clockwise or counterclockwise for fixation or loosening of the sun screen, as visualised below. Tools are not needed. Once the thumb screw has turned the sun screen loose, the screen can be lifted off manually. After removal the user may inspect the bubble level and remove the cable / connector.



**Figure 5.2.1** *Installation and removal of SRA20's sun screen*

### 5.3 Electrical connection

In order to operate, the 2 x SR20 pyranometer in SRA20 should both be connected to a measurement system, typically a so-called datalogger. SR20's are passive sensors that do not need any power.

**Table 5.3.1** *The electrical connection of SRA20-T1*

PIN	WIRE	CONNECTION
2	Red	Pt100 [+]
1	Brown	Pt100 [+]
6	Blue	Pt100 [-]
4	Yellow	Pt100 [-]
9	Black	shield
7	White	signal SR20 Uf ↓ [+]
5	Green	signal SR20 Uf ↓ [-]
3	Pink	signal SR20 Df ↑ [+]
8	Grey	signal SR20 Df ↑ [-]

**Table 5.3.2** *The electrical connection of SRA20-T2*

PIN	WIRE	CONNECTION
2	Red	10 kΩ thermistor [+]
1	Brown	heater [+]
6	Blue	10 kΩ thermistor [-]
4	Yellow	heater [-]
9	Black	shield
7	White	signal SR20 Uf ↓ [+]
5	Green	signal SR20 Uf ↓ [-]
3	Pink	signal SR20 Df ↑ [+]
8	Grey	signal SR20 Df ↑ [-]

Note 0: upfacing sensors measuring downward radiation are indicated by SR20 Uf ↓

downfacing sensors measuring upward radiation are indicated by SR20 Df ↑

Note 1: Pt100's of version T1 may be connected in a 3-wire or 4-wire configuration.

Note 2: 10 kΩ thermistors of version T2 are connected in a 2-wire configuration.

Note 3: the heater is not necessarily connected. In case it is connected, the polarity of the connection is not important.

Note 4: signal wires are insulated from ground wire and from the sensor body. Insulation resistance is tested during production and larger than  $1 \times 10^6 \Omega$ .

Note 5: ground is connected to the connector, the sensor body and the shield of the wire.



Cables generally act as a source of distortion, by picking up capacitive noise. We recommend keeping the distance between a datalogger or amplifier and the sensor as short as possible. For cable extension, see the appendix on this subject.

## 5.4 Requirements for data acquisition / amplification

The selection and programming of dataloggers is the responsibility of the user. Please contact the supplier of the data acquisition and amplification equipment to see if directions for use with the SRA20 are available.

In case programming for similar instruments is available, this can in general also be used. SRA20 can usually be treated as two single thermopile pyranometers.

Pyranometers usually have the same programming as heat flux sensors.

**Table 5.4.1** *Requirements for data acquisition and amplification equipment for SRA20 in the standard configuration*

Capability to measure small voltage signals	preferably: $5 \times 10^{-6}$ V uncertainty minimum requirement: $20 \times 10^{-6}$ V uncertainty (valid for the entire expected temperature range of the acquisition / amplification equipment)
Capability for the data logger or the software	to store data, and to perform division by the sensitivity to calculate the solar irradiance and other . optional measurands.
Voltage measurement input resistance	$> 1 \times 10^6 \Omega$
Open circuit detection (WARNING)	open-circuit detection should not be used, unless this is done separately from the normal measurement by more than 5 times the sensor response time and with a small current only. Thermopile sensors are sensitive to the current that is used during open circuit detection. The current will generate heat, which is measured and will appear as an offset.

## 6 Making a dependable measurement

### 6.1 The concept of dependability

A measurement with a pyranometer is called “dependable” if it is reliable, i.e. measuring within required uncertainty limits, for most of the time and if problems, once they occur, can be solved quickly.

The requirements for a measurement with a pyranometer may be expressed by the user as:

- required uncertainty of the measurement (see following paragraphs)
- requirements for maintenance and repairs (possibilities for maintenance and repair including effort to be made and processing time)
- a requirement to the expected instrument lifetime (until it is no longer feasible to repair)

It is important to realise that the uncertainty of the measurement is not only determined by the instrument but also by the way it is used.

See also ISO 9060 note 5. In case of pyranometers, the measurement uncertainty as obtained during outdoor measurements is a function of:

- the instrument class
- the calibration procedure / uncertainty
- the duration of instrument employment under natural sunlight (involving the instrument stability specification)
- the measurement conditions (such as tilting, ventilation, shading, instrument temperature)
- maintenance (mainly fouling)
- the environmental conditions\*

Therefore, ISO 9060 says, “statements about the overall measurement uncertainty under outdoor conditions can only be made on an individual basis, taking all these factors into account”.

\* defined at Hukseflux as all factors outside the instrument that are relevant to the measurement such as the cloud cover (presence or absence of direct radiation), sun position, the local horizon (which may be obstructed) or condition of the ground (when tilted). The environmental conditions also involve the question whether or not the measurement at the location of measurement is representative of the quantity that should be measured.

## 6.2 Reliability of the measurement

A measurement is reliable if it measures within required uncertainty limits for most of the time. We distinguish between two causes of unreliability of the measurement:

- related to the reliability of the pyranometer and its design, manufacturing, calibration (hardware reliability).
- related to the reliability of the measurement uncertainty (measurement reliability), which involves hardware reliability as well as condition of use.

Most of the hardware reliability is the responsibility of the instrument manufacturer. The reliability of the measurement however is a joint responsibility of instrument manufacturer and user. As a function of user requirements, taking into account measurement conditions and environmental conditions, the user will select an instrument of a certain class, and define maintenance support procedures.

In many situations there is a limit to a realistically attainable accuracy level. This is due to conditions that are beyond control once the measurement system is in place. Typical limiting conditions are:

- the measurement conditions, for instance when working at extreme temperatures when the instrument temperature is at the extreme limits of the rated temperature range.
- the environmental conditions, for instance when installed at a sub-optimal measurement location with obstacles in the path of the sun.
- other environmental conditions, for instance when assessing PV system performance and the system contains panels at different tilt angles, the pyranometer measurement may not be representative of irradiance received by the entire PV system.

The measurement reliability can be improved by maintenance support. Important aspects are:

- dome fouling by deposition of dust, dew, rain or snow. Fouling results in undefined measurement uncertainty (sensitivity and directional error are no longer defined). This should be solved by regular inspection and cleaning.
- sensor instability. Maximum expected sensor aging is specified per instrument as its non-stability in [% change / year]. In case the sensor is not recalibrated, the uncertainty of the sensitivity gradually will increase. This is solved by regular recalibration.
- moisture condensing under pyranometer domes resulting in a slow change of sensitivity (within specifications). This is solved by regular replacement of desiccant or by maintenance (drying the entire sensor) in case the sensor allows this. For non-serviceable sensors like most second class pyranometers, this may slowly develop into a defect. For first class and secondary standard models (for instance model SR11 first class pyranometer and SR20 secondary standard pyranometer) extra desiccant (10 bags in an air tight bag) is available.

Another way to improve measurement reliability is to introduce redundant sensors.

- the use of redundant instruments allows remote checks of one instrument using the other as a reference, which leads to a higher measurement reliability.
- in PV system performance monitoring, in addition to instruments measuring in the plane of array, horizontally placed instruments are used for the measurement of global radiation. Global irradiance data enable the user to compare the local climate and system efficiency between different sites. These data can also be compared to measurements by local meteorological stations.

### **6.3 Speed of repair and maintenance**

Dependability is not only a matter of reliability but also involves the reaction to problems; if the processing time of service and repairs is short, this contributes to the dependability.

Hukseflux pyranometers are designed to allow easy maintenance and repair. The main maintenance actions are:

- replacement of desiccant
- replacement of cabling

For optimisation of dependability a user should:

- estimate the expected lifetime of the instrument
- design a schedule of regular maintenance
- design a schedule of repair or replacement in case of defects

When operating multiple instruments in a network Hukseflux recommends keeping procedures simple and having a few spare instruments to act as replacements during service, recalibrations and repair.

### **6.4 Uncertainty evaluation**

The uncertainty of a measurement under outdoor or indoor conditions depends on many factors, see paragraph 1 of this chapter. It is not possible to give one figure for pyranometer measurement uncertainty. The work on uncertainty evaluation is "in progress". There are several groups around the world participating in standardisation of the method of calculation. The effort aims to work according to the guidelines for uncertainty evaluation (according to the "Guide to Expression of Uncertainty in Measurement" or GUM).

#### 6.4.1 Evaluation of measurement uncertainty under outdoor conditions

Hukseflux actively participates in the discussions about pyranometer measurement uncertainty; we also provide spreadsheets, reflecting the latest state of the art, to assist our users in making their own evaluation. The input to the assessment is summarised:

- 1) The formal evaluation of uncertainty should be performed in accordance with ISO 98-3 Guide to the Expression of Uncertainty in Measurement, GUM.
- 2) The specifications of the instrument according to the list of ISO 9060 classification of pyranometers and pyrhemometers are entered as limiting values of possible errors, to be analysed as type B evaluation of standard uncertainty per paragraph 4.3.7. of GUM. A priori distributions are chosen as rectangular.
- 3) A separate estimate has to be entered to allow for estimated uncertainty due to the instrument maintenance level.
- 4) The calibration uncertainty has to be entered. Please note that Hukseflux calibration uncertainties are lower than those of alternative equipment. These uncertainties are entered in measurement equation (equation is usually Formula 0.1:  $E = U/S$ ), either as an uncertainty in E (zero offsets, directional response) in U (voltage readout errors) or in S (tilt error, temperature dependence, calibration uncertainty).
- 5) In uncertainty analysis for pyranometers, the location and date of interest is entered. The course of the sun is then calculated, and the direct and diffuse components are estimated, based on a model; the angle of incidence of direct radiation is a major factor in the uncertainty.
- 6) In uncertainty analysis for modern pyrhemometers: tilt dependence often is so low that one single typical observation may be sufficient.
- 7) In case of special measurement conditions, typical specification values are chosen. These should for instance account for the measurement conditions (shaded / unshaded, ventilated/ unventilated, horizontal / tilted) and environmental conditions (clear sky / cloudy, working temperature range).
- 8) Among the various sources of uncertainty, some are "correlated"; i.e. present during the entire measurement process, and not cancelling or converging to zero when averaged over time; the off-diagonal elements of the covariance matrix are not zero. Paragraph 5.2 of GUM.
- 9) Among the various sources of uncertainty, some are "uncorrelated"; cancelling or converging to zero when averaged over time; the off-diagonal elements of the covariance matrix are zero. Paragraph 5.1 of GUM.
- 10) Among the various sources of uncertainty, some are "not included in analysis"; this applies for instance to non-linearity for pyranometers, because it is already included in the directional error, and the spectral response for pyranometers and pyrhemometers because it is already taken into account in the calibration process.

**Table 6.4.1.1** Preliminary estimates of achievable uncertainties of measurements with Hukseflux pyranometers. The estimates are based on typical pyranometer properties and calibration uncertainty, for sunny, clear sky days and well maintained stations, without uncertainty loss due to lack of maintenance and due to instrument fouling. The table specifies expanded uncertainties with a coverage factor of 2 and confidence level of 95 %. Estimates are based on 1 s sampling. **IMPORTANT NOTE:** there is no international consensus on uncertainty evaluation of pyranometer measurements, so this table should not be used as a formal reference.

<b>Pyranometer class (ISO 9060)</b>	<b>season</b>	<b>latitude</b>	<b>uncertainty minute totals at solar noon</b>	<b>uncertainty hourly totals at solar noon</b>	<b>uncertainty daily totals</b>
secondary standard (SR20)	summer	mid-latitude	2.7 %	2.0 %	1.9 %
		equator	2.6 %	1.9 %	1.7 %
		pole	7.9 %	5.6 %	4.5 %
	winter	mid-latitude	3.4 %	2.5 %	2.7 %
first class	summer	mid-latitude	4.7 %	3.3 %	3.4 %
		equator	4.4 %	3.1 %	2.9 %
		pole	16.1%	11.4 %	9.2 %
	winter	mid-latitude	6.5 %	4.5 %	5.2 %
second class	summer	mid-latitude	8.4 %	5.9 %	6.2 %
		equator	7.8 %	5.5 %	5.3 %
		pole	29.5 %	21.6 %	18.0 %
	winter	mid-latitude	11.4 %	8.1 %	9.9 %

#### 6.4.2 Calibration uncertainty

New calibration procedures were developed in close cooperation with PMOD World Radiation Center in Davos, Switzerland. The latest calibration method results in an uncertainty of the sensitivity of less than 1.2 %, compared to typical uncertainties of higher than 1.7 % for this pyranometer class. See the appendix for detailed information on calibration hierarchy.

## 7 Maintenance and trouble shooting

### 7.1 Recommended maintenance and quality assurance

SRA20 can measure reliably at a low level of maintenance in most locations. Usually unreliable measurements will be detected as unreasonably large or small measured values. As a general rule this means that regular visual inspection combined with a critical review of the measured data, preferably checking against other measurements, is the preferred way to obtain a reliable measurement.

**Table 7.1.1** Recommended maintenance of SRA20. If possible the data analysis and cleaning (1 and 2) should be done on a daily basis.

<b>MINIMUM RECOMMENDED ALBEDOMETER MAINTENANCE</b>			
	INTERVAL	SUBJECT	ACTION
1	1 week	data analysis	compare measured data to maximum possible / maximum expected irradiance and to other measurements nearby (redundant instruments). Also historical seasonal records can be used as a source for expected values. Analyse night time signals. These signals may be negative (down to - 5 W/m <sup>2</sup> on clear windless nights), due to zero offset a. In case of use with PV systems, compare daytime measurements to PV system output. Look for any patterns and events that deviate from what is normal or expected.
2	2 weeks	cleaning	use a soft cloth to clean the dome of the instrument, persistent stains can be treated with soapy water or alcohol
3	6 months	inspection	inspect cable quality, inspect connectors, inspect mounting position, inspect cable, clean instrument, clean cable, inspect levelling, change instrument tilt in case this is out of specification, inspect mounting connection, inspect interior of dome for condensation
4	2 years	desiccant replacement	desiccant replacement (if applicable). Change in case the blue colour of the 40 % humidity indicator turns pink (indicating humidity), then replace desiccant. Coat the rubber of the cartridge with silicone grease or vaseline. Desiccant regeneration: heating in an oven at 70 °C for 1 to 2 hours. Humidity indicator regeneration: heating until blue at 70 °C
5		recalibration	recalibration by side-by-side comparison to a higher standard instrument in the field according to ISO 9847
6		lifetime assessment	judge if the instrument should be reliable for another 2 years, or if it should be replaced
7	6 years	parts replacement	if applicable / necessary replace the parts that are most exposed to weathering; cable, connector, desiccant holder, sun screen. NOTE: use Hukseflux approved parts only.
8		internal inspection	if applicable: open instrument and inspect / replace O-rings; dry internal cavity around the circuit board
9		recalibration	recalibration by side-by-side comparison to a higher standard instrument indoors according to ISO 9847 or outdoors according to ISO9846

## 7.2 Trouble shooting

For checking the instrument see the wiring diagram on the product certificate or in chapter 5 of this manual.

**Table 7.2.1** *Trouble shooting for SR20/SRA20*

The sensor does not give any signal	<p>Check the electrical resistance of the sensor between the (-) and (+) wire of the pyranometers. Use a multimeter at the 200 <math>\Omega</math> range. Measure the sensor resistance first with one polarity, than reverse the polarity. Take the average value. The typical resistance of the wiring is 0.1 <math>\Omega</math>/m. Typical resistance should be the typical sensor resistance of 50 to 100 <math>\Omega</math> plus 1.5 <math>\Omega</math> for the total resistance of two wires (back and forth) of each 5 m. Infinite resistance indicates a broken circuit; zero or a low resistance indicates a short circuit. Check if the sensor reacts to light: put the multimeter at its most sensitive range of DC voltage measurement, typically the 100 x 10<sup>-3</sup> VDC range or lower. Expose the sensor to strong light source, for instance a 100 W light bulb at 1 x 10<sup>-1</sup> m distance. The signal should read &gt; 2 x 10<sup>-3</sup> V now. Darken the sensor either by putting something over it or switching off the light. The instrument voltage output should go down and within one minute approach 0 V. Check the data acquisition by applying a 1 x 10<sup>-6</sup> V source to it in the 1 x 10<sup>-6</sup> V range.</p>
The sensor signal is unrealistically high or low	<p>Note that night-time signals of upfacing pyranometers may be negative (down to - 5 W/m<sup>2</sup> on clear windless nights), due to zero offset a. Check if the pyranometer has clean domes. Check the location of the pyranometer; are there any obstructions that could explain the measurement result. Check the orientation / levelling of the pyranometer. Check if the right calibration factor is entered into the algorithm. Please note that each sensor has its own individual calibration factor, as documented in its calibration certificate. Check if the voltage reading is divided by the calibration factor in review of the algorithm. Check the condition of the wiring at the logger. Check the cable condition looking for cable breaks. Check the range of the data logger; signal can be negative (this could be out of range) or the amplitude could be out of range. Check the data acquisition by applying a 1 x 10<sup>-6</sup> V source to it in the 1 x 10<sup>-6</sup> V range. Look at the output. Check if the output is as expected. Check the data acquisition by short circuiting the data acquisition input with a 100 <math>\Omega</math> resistor. Look at the output. Check if the output is close to 0 W/m<sup>2</sup>.</p>
The sensor signal shows unexpected variations	<p>Check the presence of strong sources of electromagnetic radiation (radar, radio etc.) Check the condition of the shielding. Check the condition of the sensor cable. Check if the cable is not moving during the measurement</p>
The sensor signal is unrealistically high or low	<p>Check the electrical resistance between the sensor wires of different sensors; this should be higher than 1 x 10<sup>6</sup> <math>\Omega</math>. Most multimeters cannot measure in this range, so please use the highest range. Check between the two different sensors and between sensors and body.</p>
The dome shows internal condensation	<p>Arrange to send the sensor back to Hukseflux for diagnosis.</p>



When trouble shooting, inspect the instrument and cables for any damage and check the instrument serial numbers against the certificates supplied with the instrument.

If the trouble shooting steps were followed and further diagnosis is needed, contact Hukseflux and arrange to send an Excel file containing raw sensor data of a few days of measurement for diagnostics. Include time of day, coordinates, raw voltages and instrument temperature.

### **7.3 Calibration and checks in the field**

A check or calibration of an albedometer consists of 2 pyranometer calibrations.

#### **7.3.1 Albedometer inversion test**

Hukseflux recommends to perform a so-called instrument-inversion-test after installation. This test consists of inverting the instrument orientation (180 ° turn around the mounting tube), and looking at the output signals. For testing pyranometers, perform this test on a clear day, preferably under around noon (with the sun high in the sky). It is assumed both downwelling and upwelling radiation are the same as measured prior to the test within a time interval of several minutes. For this crude test, deviations within  $\pm 10\%$  or  $10 \text{ W/m}^2$  (choose the largest value) between U/S readings of individual sensors may pass as acceptable.

#### **7.3.2 Calibration and checks for pyranometers**

Recalibration of field pyranometers is typically done by comparison in the field to a reference pyranometer. The applicable standard is ISO 9847 "International Standard-Solar Energy- calibration of field pyranometers by comparison to a reference pyranometer". At Hukseflux an indoor calibration according to the same standard is used.

Hukseflux recommendation for re-calibration: if possible, perform calibration indoor by comparison to an identical reference instrument, under normal incidence conditions.

In case of field comparison; ISO recommends field calibration to a higher class pyranometer. Hukseflux suggests also allowing use of sensors of the same model and class, because intercomparisons of similar instruments has the advantage that they suffer from the same offsets. It is therefore just as good to compare to pyranometers of the same brand and type as to compare to an instrument of a higher class. ISO recommends to perform field calibration during several days; 2 to 3 days under cloudless conditions, 10 days under cloudy conditions. In general this is not achievable. In order to shorten the calibration process Hukseflux suggests to allow calibration at normal incidence, using hourly totals near solar noon.

Hukseflux main recommendations for field intercomparisons are:

- 1) to take normal incidence as a reference and not the entire day.
- 2) to take a reference of the same brand and type as the field pyranometer or a pyranometer of a higher class, and
- 3) to connect both to the same electronics, so that electronics errors (also offsets) are eliminated.
- 4) to mount all instruments on the same platform, so that they have the same body temperature.
- 5) assuming that the electronics are independently calibrated, to analyse radiation values at normal incidence radiation (possibly tilting the radiometers to approximately normal incidence); if this is not possible to compare 1 hour totals around solar noon for horizontally mounted instruments.
- 6) for second class radiometers, to correct deviations of more than  $\pm 10\%$ . Lower deviations should be interpreted as acceptable and should not lead to a revised sensitivity (not applicable to SRA20).
- 7) for first class pyranometers, to correct deviations of more than  $\pm 5\%$ . Lower deviations should be interpreted as acceptable and should not lead to a revised sensitivity (not applicable to SRA20).
- 8) for secondary standard instruments, to correct deviations of more than  $\pm 3\%$ . Lower deviations should be interpreted as acceptable and should not lead to a revised sensitivity (applicable to pyranometer type SR20 as used in the SRA20).

## 7.4 Data quality assurance

Quality assurance of global solar irradiance can be done by:

- analysing trends in solar irradiance signal
- plotting the measured irradiance against mathematically generated expected values
- comparing irradiance measurements between sites
- analysis of night time signals

Quality assurance of reflected solar irradiance can be done by:

- analysing trends albedo over the day and from day to day
- comparing reflected irradiance and albedo measurements between sites
- analysis of night time signals

The main idea is that one should look out for any unrealistic values. There are programs on the market that can automatically perform data screening. See for more information on such a program <http://www.dqms.com>.



## 8 Appendices

### 8.1 Appendix on cable extension / replacement

The sensor cable of SRA20 is equipped with a M16 straight connector. In case of cable replacement, it is recommended to purchase a new cable with connector at Hukseflux. An alternative is to choose for a Do-it-yourself (DIY) approach; please ask for the DIY connector assembly guide. In case of cable extension, the user may choose purchasing a new cable with connector at Hukseflux or extending the existing cable himself. Please note that Hukseflux does not provide support for DIY connector- and cable assembly. SRA20 is equipped with one cable. Keep the distance between data logger or amplifier and sensor as short as possible. Cables act as a source of distortion by picking up capacitive noise. In an electrically "quiet" environment the SR20 cable can be extended without problem to 100 metres. If done properly, the sensor signal, although small, will not significantly degrade because the sensor resistance is very low (so good immunity to external sources) and because there is no current flowing (so no resistive losses). Connector, cable and cable connection specifications are summarised below.

**Table 8.1.1** Preferred specifications for SRA20 cable replacement and extension

General replacement	please order a new cable with connector at Hukseflux or choose for a DIY approach. In case of DIY replacement by the user see connector specifications below and ask for the DIY connector assembly guide
General cable extension	please order a new cable with connector at Hukseflux or solder the new cable conductors and shield to the original sensor cable and make a connection, using adhesive-lined heat shrink tubing, with specifications for outdoor use. Always connect shield
Connectors used	chassis: M16 panel connector, male thread, 10-pole, HUMMEL AG 7.840.200.000 panel connector, front mounting, short version. cable: M16 straight connector, female thread, 10-pole. HUMMEL AG 7.810.300.00M straight connector, female thread, for cable 3 to 6 x 10 <sup>-3</sup> m, special version
Cable	8-wire, shielded, with copper conductors (at Hukseflux 8-wire shielded cable is used, of which 2 wires are used for signal transmission, 2 for heating and 2 to 4 for the temperature sensor)
Conductor resistance	< 0.1 Ω/m
Length	cables should be kept as short as possible, in any case the total cable length should be less than 100 m
Outer sheath	with specifications for outdoor use (for good stability in outdoor applications)

## 8.2 Appendix on tools for SRA20

**Table 8.2.1** *Specifications of tools for SRA20*

tooling required for sun screen fixation and removal	by hand
tooling required for desiccant holder fixation and removal	spanner size 20 mm

## 8.3 Appendix on spare parts for SRA20

- Desiccant holder (with glass window and rubber ring)
- Desiccant (10 bags in air tight bag)
- Humidity indicator
- Sun screen with metal ring and thumb screw
- SRA20 cable with connector (specify length in multiples of 5 m)
- O-ring SR20

NOTE: Outer dome, level and sensor of SRA20 cannot be supplied as spare parts. In case of possible damage to the SRA20, after repair the instrument must be tested to verify performance within specification limits. This is required by ISO 9060. Testing involves verification of the directional response after dome, thermal sensor and level replacement and verification of the temperature response after thermal sensor replacement.

## 8.4 Appendix on standards for classification and calibration

Both ISO and ASTM have standards on instrument classification and methods of calibration. The World Meteorological Organisation (WMO) has largely adopted the ISO classification system.

**Table 8.4.1** *Pyranometer standardisation in ISO and ASTM*

<b>STANDARDS ON INSTRUMENT CLASSIFICATION AND CALIBRATION</b>	
ISO STANDARD	EQUIVALENT ASTM STANDARD
ISO 9060:1990 Solar energy -- Specification and classification of instruments for measuring hemispherical solar and direct solar radiation	not available Comment: work is in progress on a new ASTM equivalent standard
Comment: a standard "Solar energy --Methods for testing pyranometer and pyrhelimeter characteristics" has been announced in ISO 9060 but is not yet implemented.	not available
ISO 9846:1993 Solar energy -- Calibration of a pyranometer using a pyrhelimeter	ASTM G167-15 Standard Test Method for Calibration of a Pyranometer Using a Pyrhelimeter
ISO 9847:1992 Solar energy -- Calibration of field pyranometers by comparison to a reference pyranometer	ASTM E 824-10 Standard Test Method for Transfer of Calibration from Reference to Field Radiometers  ASTM G207-11 Standard Test Method for Indoor Transfer of Calibration from Reference to Field Pyranometers
ISO 9059:1990 Solar energy -- Calibration of field pyrhelimeters by comparison to a reference pyrhelimeter	ASTM E 816-15 Standard Test Method for Calibration of Pyrhelimeters by Comparison to Reference Pyrhelimeters

## 8.5 Appendix on calibration hierarchy

The World Radiometric Reference (WRR) is the measurement standard representing the SI unit of irradiance. It was introduced in order to ensure world-wide homogeneity of solar radiation measurements and is in use since 1980. The WRR was determined from the weighted mean of the measurements of a group of 15 absolute cavity radiometers which were fully characterised. It has an estimated accuracy of 0.3%. The WMO introduced its mandatory use in its status in 1979.

The world-wide homogeneity of the meteorological radiation measurements is guaranteed by the World Radiation Center in Davos Switzerland, by maintaining the World Standard Group (WSG) which materialises the World Radiometric Reference.

See <http://www.pmodwrc.ch>

The Hukseflux standard is traceable to an outdoor WRR calibration. Some small corrections are made to transfer this calibration to the Hukseflux standard conditions: sun at zenith and 1000 W/m<sup>2</sup> irradiance level. During the outdoor calibration the sun is typically at 20 to 40 ° zenith angle, and the total irradiance at a 700 W/m<sup>2</sup> level.

**Table 8.5.1** Calibration hierarchy for pyranometers

---

### WORKING STANDARD CALIBRATION AT PMOD / WRC DAVOS

---

Calibration of working standard pyranometers:

Method: ISO 9846, type 1 outdoor. This working standard has an uncertainty "uncertainty of standard". The working standard has been calibrated under certain "test conditions of the standard". The working standard has traceability to WRR world radiometric reference.

---

### CORRECTION OF (WORKING) STANDARD CALIBRATION TO STANDARDISED REFERENCE CONDITIONS

---

Correction from "test conditions of the standard" to "reference conditions" i.e. to normal incidence and 20 °C:

Using known (working) standard pyranometer properties: directional, non linearity, offsets, temperature dependence). This correction has an uncertainty; "uncertainty of correction".

At Hukseflux we also call the working standard pyranometer "standard".

---

### INDOOR PRODUCT CALIBRATION

---

Calibration of products, i.e. pyranometers:

Method: according to ISO 9847, Type IIc, which is an indoor calibration.

This calibration has an uncertainty associated with the method.

(In some cases like the BSRN network the product calibration is with a different method; for example again type 1 outdoor)

---

### CALIBRATION UNCERTAINTY CALCULATION

---

ISO 98-3 Guide to the Expression of Uncertainty in Measurement, GUM Determination of combined expanded uncertainty of calibration of the product, including uncertainty of the working standard, uncertainty of correction, uncertainty of the method (transfer error). The coverage factor must be determined; at Hukseflux we work with a coverage factor  $k = 2$ .

---

## 8.6 Appendix on meteorological radiation quantities

A pyranometer measures irradiance. The time integrated total is called radiant exposure. In solar energy radiant exposure is often given in  $W \cdot h/m^2$ .

**Table 7.6.1** Meteorological radiation quantities as recommended by WMO (additional symbols by Hukseflux Thermal Sensor). POA stands for Plane of Array irradiance. The term originates from ASTM and IEC standards.

SYMBOL	DESCRIPTION	CALCULATION	UNITS	ALTERNATIVE EXPRESSION	
$E \downarrow$	downward irradiance	$E \downarrow = E_g \downarrow + E_l \downarrow$	$W/m^2$		
$H \downarrow$	downward radiant exposure for a specified time interval	$H \downarrow = H_g \downarrow + H_l \downarrow$	$J/m^2$		
$E \uparrow$	upward irradiance	$E \uparrow = E_g \uparrow + E_l \uparrow$	$W/m^2$		
$H \uparrow$	upward radiant exposure for a specified time interval	$H \uparrow = H_g \uparrow + H_l \uparrow$	$J/m^2$	$W \cdot h/m^2$	Change of units
$E$	direct solar irradiance normal to the apparent solar zenith angle		$W/m^2$	DNI	Direct Normal Irradiance
$E_0$	solar constant		$W/m^2$		
$E_g \downarrow h$	global irradiance; hemispherical irradiance on a specified, in this case horizontal surface.*	$E_g \downarrow = E \cos \theta_h + E_d \downarrow$	$W/m^2$	GHI	Global Horizontal Irradiance
$E_g \downarrow t$	global irradiance; hemispherical irradiance on a specified, in this case tilted surface.*	$E_g \downarrow = E \cdot \cos \theta_t + E_d \downarrow t + E_r \uparrow t$ ***	$W/m^2$	POA	Plane of Array
$E_d \downarrow$	downward diffuse solar radiation		$W/m^2$	DHI	Diffuse Horizontal Irradiance
$E_l \uparrow, E_l \downarrow$	upward / downward long-wave irradiance		$W/m^2$		
$E_r \uparrow$	reflected solar irradiance		$W/m^2$		
$E^*$	net irradiance	$E^* = E \downarrow - E \uparrow$	$W/m^2$		
$T \downarrow$	apparent surface temperature**		$^{\circ}C$ or $K$		
$T \uparrow$	apparent sky temperature**		$^{\circ}C$ or $K$		
SD	sunshine duration		h		

$\theta$  is the apparent solar zenith angle  $\theta_h$  relative to horizontal,  $\theta_t$  relative to a tilted surface  
g = global, l = long wave, t = tilted \*, h = horizontal\*

\* distinction horizontal and tilted by Hukseflux,

\*\* T symbols introduced by Hukseflux,

\*\*\* contributions of  $E_d \downarrow t$  and  $E_r \uparrow t$  are  $E_d \downarrow$  and  $E_r \uparrow$  both corrected for the tilt angle of the surface



## 8.7 Appendix on ISO and WMO classification tables

**Table 8.7.1** Classification table for pyranometers per ISO 9060 and WMO.

NOTE: WMO specification of spectral selectivity is different from that of ISO. Hukseflux conforms to the ISO limits. WMO also specifies achievable accuracies. ISO finds this not to be a part of the classification system because it also involves calibration. Please note that WMO achievable accuracies are for clear days at mid latitudes and that the uncertainty estimate does not include uncertainty due to calibration\*.

<b>ISO CLASSIFICATION** TABLE</b>			
ISO CLASS	SECONDARY STANDARD	FIRST CLASS	SECOND CLASS
Specification limit			
Response time (95 %)	15 s	30 s	60 s
Zero offset a (response to 200 W/m <sup>2</sup> net thermal radiation)	+ 7 W/m <sup>2</sup>	+ 15 W/m <sup>2</sup>	+ 30 W/m <sup>2</sup>
Zero offset b (response to 5 K/h in ambient temperature)	± 2 W/m <sup>2</sup>	± 4 W/m <sup>2</sup>	± 8 W/m <sup>2</sup>
Non-stability (change per year)	± 0.8 %	± 1.5 %	± 3 %
Non-linearity (100 to 1000 W/m <sup>2</sup> )	± 0.5 %	± 1 %	± 3 %
Directional response	± 10 W/m <sup>2</sup>	± 20 W/m <sup>2</sup>	± 30 W/m <sup>2</sup>
Spectral selectivity (350 to 1 500 x 10 <sup>-9</sup> m) (WMO 300 to 3 000 x 10 <sup>-9</sup> m)	± 3 %	± 5 %	± 10 %
Temperature response (interval of 50 K)**	2 %	4 %	8 %
Tilt response (0 to 90 ° at 1000 W/m <sup>2</sup> )	± 0.5 %	± 2 %	± 5 %
<b>ADDITIONAL WMO SPECIFICATIONS</b>			
WMO CLASS	HIGH QUALITY	GOOD QUALITY	MODERATE QUALITY
WMO: achievable accuracy for daily sums*	2 %	5 %	10 %
WMO: achievable accuracy for hourly sums*	3 %	8 %	20 %
WMO: achievable accuracy for minute sums*	not specified	not specified	not specified
WMO: resolution (smallest detectable change)	1 W/m <sup>2</sup>	5 W/m <sup>2</sup>	10 W/m <sup>2</sup>
<b>CONFORMITY TESTING***</b>			
ISO 9060	individual instrument only: all specs must comply	group compliance	group compliance

\* WMO 7.2.1: The estimated uncertainties are based on the following assumptions: (a) instruments are well-maintained, correctly aligned and clean; (b) 1 min and 1 h figures are for clear-sky irradiances at solar noon; (c) daily exposure values are for clear days at mid-latitudes. WMO 7.3.2.5: Table 7.5 lists the expected maximum deviation from the true value, excluding calibration errors.

\*\* At Hukseflux we use the expression ± 1 % instead of a range of 2 %.

\*\*\* an instrument is subject to conformity testing of its specifications. Depending on the classification, conformity compliance can be proven either by group- or individual compliance. A specification is fulfilled if the mean value of the respective test result does not exceed the corresponding limiting value of the specification for the specific category of instrument.

## 8.8 Appendix on definition of pyranometer specifications

**Table 8.8.1** Definition of pyranometer specifications

SPECIFICATION	DEFINITION	SOURCE
Response time (95 %)	time for 95 % response. The time interval between the instant when a stimulus is subjected to a specified abrupt change and the instant when the response reaches and remains within specified limits around its final steady value. The response time is a measure of the thermal inertia inherent in the stabilization period for a final reading.	ISO 9060-1990 WMO 1.6.3
Zero offset a: (200 W/m <sup>2</sup> net thermal radiation )	response to 200 W/m <sup>2</sup> net thermal radiation (ventilated). Hukseflux assumes that unventilated instruments have to specify the zero-offset in unventilated – worst case – conditions. Zero offsets are a measure of the stability of the zero-point. Zero offset a is visible at night as a negative offset, the instrument dome irradiates in the far infra red to the relatively cold sky. This causes the dome to cool down. The pyranometer sensor irradiates to the relatively cool dome, causing a negative offset. Zero offset a is also assumed to be present during daytime.	ISO 9060-1990
Zero offset b: (5 K/h in ambient temperature)	response to 5 K/h change in ambient temperature. Zero offsets are a measure of the stability of the zero-point.	ISO 9060-1990
Non-stability (change per year)	percentage change in sensitivity per year. The dependence of sensitivity resulting from ageing effects which is a measure of the long-term stability.	ISO 9060-1990
Non-linearity (100 to 1000 W/m <sup>2</sup> )	percentage deviation from the sensitivity at 500 W/m <sup>2</sup> due to the change in irradiance within the range of 100 W/m <sup>2</sup> to 1000 W/m <sup>2</sup> . Non-linearity has an overlap with directional response, and therefore should be handled with care in uncertainty evaluation.	ISO 9060-1990
Directional response	the range of errors caused by assuming that the normal incidence sensitivity is valid for all directions when measuring from any direction a beam radiation whose normal incidence irradiance is 1000 W/m <sup>2</sup> . Directional response is a measure of the deviations from the ideal "cosine behaviour" and its azimuthal variation.	ISO 9060-1990
Spectral selectivity (350 to 1500 x 10 <sup>-9</sup> m) (WMO 300 to 3000 x 10 <sup>-9</sup> m)	percentage deviation of the product of spectral absorptance and spectral transmittance from the corresponding mean within mean within the specified spectral range. Spectral selectivity is a measure of the spectral selectivity of the sensitivity.	ISO 9060-1990
Temperature response (interval of 50 K)	percentage deviation of the sensitivity due to change in ambient temperature within an interval of 50 K the temperature of the pyranometer body.	ISO 9060-1990
Tilt response (0 ° to 90 ° at 1000 W/m <sup>2</sup> )	percentage deviation from the sensitivity at 0 ° tilt (horizontal) due to change in tilt from 0 ° to 90 ° at 1000 W/m <sup>2</sup> irradiance. Tilt response describes changes of the sensitivity due to changes of the tilt angle of the receiving surface.	ISO 9060-1990
Sensitivity	the change in the response of a measuring instrument divided by the corresponding change in the stimulus.	WMO 1.6.3
Spectral range	the spectral range of radiation to which the instrument is sensitive. For a normal pyranometer this should be in the 0.3 to 3 x 10 <sup>-6</sup> m range. Some pyranometers with coloured glass domes have a limited spectral range.	Hukseflux

## 8.9 Appendix on terminology / glossary

**Table 8.9.1** Definitions and references of used terms

TERM	DEFINITION (REFERENCE)
Solar energy or solar radiation	solar energy is the electromagnetic energy emitted by the sun. Solar energy is also called solar radiation and shortwave radiation. The solar radiation incident on the top of the terrestrial atmosphere is called extra-terrestrial solar radiation; 97 % of which is confined to the spectral range of 290 to 3 000 x 10 <sup>-9</sup> m. Part of the extra-terrestrial solar radiation penetrates the atmosphere and directly reaches the earth's surface, while part of it is scattered and / or absorbed by the gas molecules, aerosol particles, cloud droplets and cloud crystals in the atmosphere. The former is the direct component, the latter is the diffuse component of the solar radiation. (ref: WMO, Hukseflux)
Hemispherical solar radiation	solar radiation received by a plane surface from a 180 ° field of view angle (solid angle of 2 π sr).(ref: ISO 9060)
Global solar radiation	the solar radiation received from a 180 ° field of view angle on a horizontal surface is referred to as global radiation. Also called GHI. This includes radiation received directly from the solid angle of the sun's disc, as well as diffuse sky radiation that has been scattered in traversing the atmosphere. (ref: WMO) Hemispherical solar radiation received by a horizontal plane surface. (ref: ISO 9060)
Plane-of-array irradiance	also POA: hemispherical solar irradiance in the plane of a PV array. (ref: ASTM E2848-11 / IEC 61724)
Direct solar radiation	radiation received from a small solid angle centred on the sun's disc, on a given plane. (ref: ISO 9060)
Terrestrial or Longwave radiation	radiation not of solar origin but of terrestrial and atmospheric origin and having longer wavelengths (3 000 to 100 000 x 10 <sup>-9</sup> m). In case of downwelling E <sub>i</sub> ↓ also the background radiation from the universe is involved, passing through the "atmospheric window". In case of upwelling E <sub>i</sub> ↑, composed of long-wave electromagnetic energy emitted by the earth's surface and by the gases, aerosols and clouds of the atmosphere; it is also partly absorbed within the atmosphere. For a temperature of 300 K, 99.99 % of the power of the terrestrial radiation has a wavelength longer than 3 000 x 10 <sup>-9</sup> m and about 99 per cent longer than 5 000 x 10 <sup>-9</sup> m. For lower temperatures, the spectrum shifts to longer wavelengths. (ref: WMO)
World Radiometric Reference (WRR)	measurement standard representing the SI unit of irradiance with an uncertainty of less than ± 0.3 % (see the WMO Guide to Meteorological Instruments and Methods of Observation, 1983, subclause 9.1.3). The reference was adopted by the World Meteorological Organization (WMO) and has been in effect since 1 July 1980. (ref: ISO 9060)
Albedo	ratio of reflected and incoming solar radiation. Dimensionless number that varies between 0 and 1. Typical albedo values are: < 0.1 for water, from 0.1 for wet soils to 0.5 for dry sand, from 0.1 to 0.4 for vegetation, up to 0.9 for fresh snow.
Angle of incidence	angle of radiation relative to the sensor measured from normal incidence (varies from 0° to 90°).
Zenith angle	angle of incidence of radiation, relative to zenith. Equals angle of incidence for horizontally mounted instruments
Azimuth angle	angle of incidence of radiation, projected in the plane of the sensor surface. Varies from 0° to 360°. 0 is by definition the cable exit direction, also called north, east is + 90°. (ASTM G13-09)
Sunshine duration	sunshine duration during a given period is defined as the sum of that sub-period for which the direct solar irradiance exceeds 120 W/m <sup>2</sup> . (ref: WMO)

## 8.10 Appendix on converting resistance to temperature

SRA20 is equipped with an internal temperature sensor. This can be either a Pt100 (SRA20-T1 version) or a 10 kΩ thermistor (SRA20-T2 version), as ordered.

Both versions require the user to measure the resistance of the temperature sensor and convert this value to temperature. Many dataloggers have built-in functions to perform such a conversion. In case the user wishes to calculate temperature (in degrees Celsius) from resistance (in Ohms) himself, there are two distinct procedures:

### SRA20-T1

T1 versions are equipped with a Pt100 platinum resistance thermometer. It is classified as class A according to DIN EN 60751. It has a resistance of 100 Ω at a temperature of 0 °C.

To convert resistance in Ω to temperature in °C, one can use the following equation:

$$T = \frac{-A + \sqrt{A^2 - 4B \left(1 - \frac{R_{Pt100}}{100}\right)}}{2B} \quad (\text{Formula 8.10.1})$$

with  $R_{Pt100}$  the resistance in Ω, T the temperature in °C, A and B the Pt100 coefficients

$$A = 3.908 \times 10^{-3}$$

$$B = -5.775 \times 10^{-7}$$

### SRA20-T2

T2 versions are equipped with a 10 kΩ thermistor of type 44031RC. It has a resistance of 10000 Ω at a temperature of 25 °C.

To convert resistance in Ω to temperature in °C, one can use the Steinhart-Hart equation. Measure the resistance of the thermistor and then calculate the temperature from the resistance.

$$T = \frac{1}{\alpha + \beta \ln(R_{\text{thermistor}}) + \gamma \ln(R_{\text{thermistor}})^3} - 273.15 \quad (\text{Formula 8.10.2})$$

with  $R_{\text{thermistor}}$  the thermistor resistance in Ω, T the temperature in °C, α, β and γ the Steinhart-Hart coefficients

$$\alpha = 1.0295 \times 10^{-3}$$

$$\beta = 2.391 \times 10^{-4}$$

$$\gamma = 1.568 \times 10^{-7}$$

## 8.11 EC declaration of conformity



We, Hukseflux Thermal Sensors B.V.  
Delftechpark 31  
2628 XJ Delft  
The Netherlands

in accordance with the requirements of the following directive:

2004/108/EC The Electromagnetic Compatibility Directive

hereby declare under our sole responsibility that:

Product model: SRA20  
Product type: Albedometer

has been designed to comply and is in conformity with the relevant sections and applicable requirements of the following standards:

Emission: EN 61326-1 (2006)  
Immunity: EN 61326-1 (2006)  
Emission: EN 61000-3-2 (2006)  
Emission: EN 61000-3-3 (1995) + A1 (2001) + A2 (2005).  
Report: 08C01340RPT01, 06 January 2009



Eric HOEKSEMA  
Director  
Delft  
03 June, 2017



