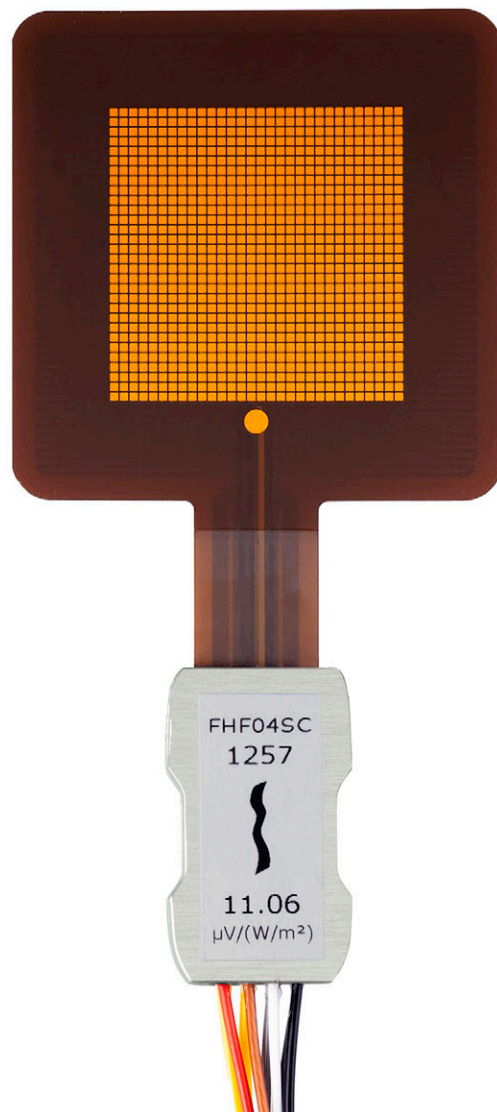


# USER MANUAL FHF04SC


Self-calibrating foil heat flux sensor with thermal spreaders and heater




## Cautionary statements

Cautionary statements are subdivided into four categories: danger, warning, caution and notice according to the severity of the risk.

|  <b>DANGER</b>   |
|---|
| <b>Failure to comply with a danger statement will lead to death or serious physical injuries.</b> |

|  <b>WARNING</b>          |
|---|
| <b>Failure to comply with a warning statement may lead to risk of death or serious physical injuries.</b> |

|  <b>CAUTION</b>           |
|--|
| <b>Failure to comply with a caution statement may lead to risk of minor or moderate physical injuries.</b> |

| <b>NOTICE</b>  |
|--|
| <b>Failure to comply with a notice may lead to damage to equipment or may compromise reliable operation of the instrument.</b> |

# Contents

|  |           |
|--|-----------|
| <b>Cautionary statements</b>                                       | <b>2</b>  |
| <b>Contents</b>  | <b>3</b>  |
| <b>List of symbols</b>   | <b>4</b>  |
| <b>Introduction</b>  | <b>5</b>  |
| <b>1 Ordering and checking at delivery</b>                         | <b>9</b>  |
| 1.1 Ordering FHF04SC   | 9         |
| 1.2 Included items   | 9         |
| 1.3 Quick instrument check   | 10        |
| <b>2 Instrument principle and theory</b>                           | <b>11</b> |
| 2.1 Theory of operation  | 11        |
| 2.2 The self-test  | 14        |
| 2.3 Calibration  | 14        |
| 2.4 Application example  | 15        |
| 2.5 Application example: non-invasive core temperature measurement | 17        |
| <b>3 Specifications of FHF04SC</b>                                 | <b>18</b> |
| 3.1 Specifications of FHF04SC                                      | 18        |
| 3.2 Dimensions of FHF04SC  | 21        |
| <b>4 Standards and recommended practices for use</b>               | <b>22</b> |
| 4.1 Heat flux measurement in industry                              | 22        |
| <b>5 Installation of FHF04SC</b>                                   | <b>23</b> |
| 5.1 Site selection and installation                                | 23        |
| 5.2 Installation on curved surfaces                                | 25        |
| 5.3 Electrical connection  | 26        |
| 5.4 Requirements for data acquisition / amplification              | 29        |
| <b>6 Maintenance and trouble shooting</b>                          | <b>30</b> |
| 6.1 Recommended maintenance and quality assurance                  | 30        |
| 6.2 Trouble shooting   | 31        |
| 6.3 Calibration and checks in the field                            | 32        |
| <b>7 Appendices</b>  | <b>34</b> |
| 7.1 Appendix on wire extension                                     | 34        |
| 7.2 Appendix on using FHF04SC with BLK – GLD sticker series        | 35        |
| 7.3 Appendix on standards for calibration                          | 36        |
| 7.4 Appendix on calibration hierarchy                              | 36        |
| 7.5 Appendix on correction for temperature dependence              | 37        |
| 7.6 Appendix on measurement range for different temperatures       | 38        |
| 7.7 Appendix on temperature measurement accuracy                   | 39        |
| 7.8 EU declaration of conformity                                   | 40        |

## List of symbols

### Quantities

Heat flux  
 Voltage output  
 Sensitivity  
 Temperature  
 Thermal resistance per unit area  
 Area  
 Electrical resistance  
 Electrical power

| Symbol                 | Unit                  |
|------------------------|-----------------------|
| $\Phi$                 | W/m <sup>2</sup>      |
| U                      | V                     |
| S                      | V/(W/m <sup>2</sup> ) |
| T                      | °C                    |
| R <sub>thermal,A</sub> | K/(W/m <sup>2</sup> ) |
| A                      | m <sup>2</sup>        |
| R                      | Ω                     |
| P                      | W                     |

### subscripts

property of heatsink  
 property of heater  
 property of sensor  
 maximum value, specification limit

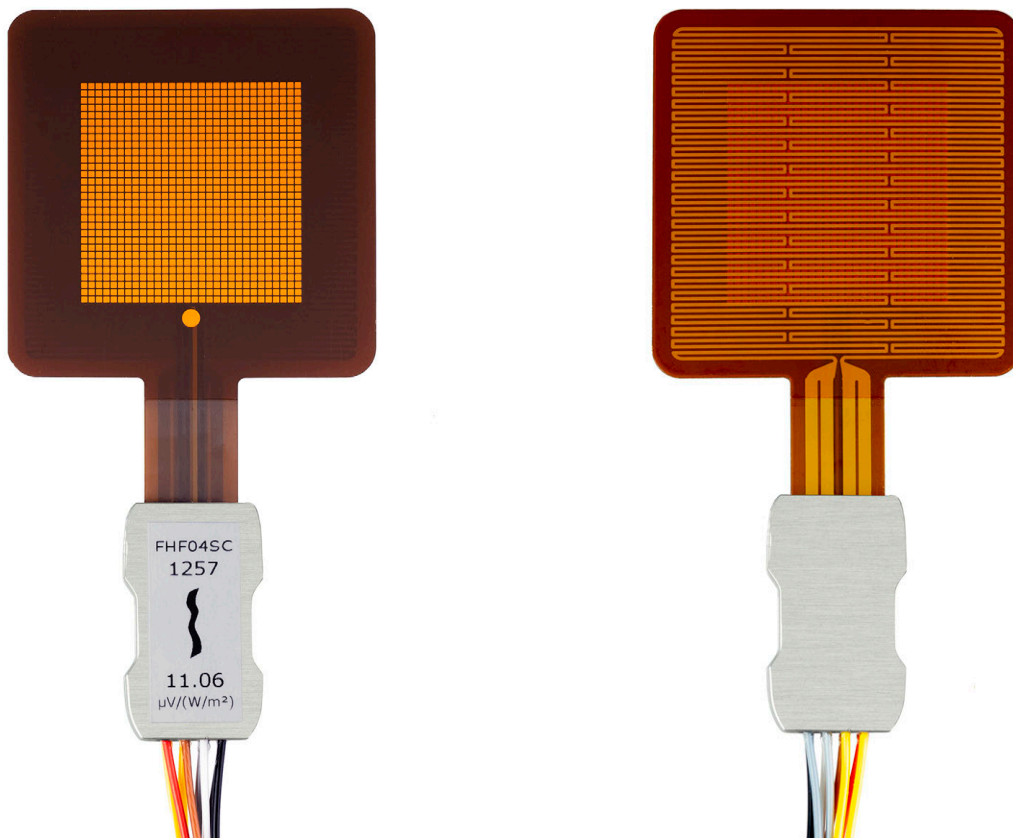
heatsink  
 heater  
 sensor  
 maximum

## Introduction

FHF04SC is a combination of the standard model FHF04 heat flux sensor and a heater. The heater allows the user to perform self-tests, verifying sensor functionality and stability during use, without having to remove the sensor. FHF04SC is ideal for high-accuracy and long-term heat flux measurement, construction of calorimeters, (zero heat flux) core temperature measurement and thermal conductivity test equipment.

FHF04SC measures heat flux through the object in which it is incorporated or on which it is mounted, in  $W/m^2$ . The sensor in FHF04SC is a thermopile. This thermopile measures the temperature difference across FHF04SC's flexible body. A type T thermocouple is integrated as well. The thermopile and thermocouple are passive sensors; they do not require power.

Multiple small thermal spreaders, which form a conductive layer covering the sensor, help reduce the thermal conductivity dependence of the measurement. With its incorporated spreaders, the sensitivity of FHF04SC is independent of its environment. Many competing sensors do not have thermal spreaders. The passive guard area around the sensor reduces edge effects and is also used for mounting.



**Figure 0.1** FHF04SC self-calibrating foil heat flux sensor with thermal spreaders and heater, showing its front and back side

Measuring heat flux, users may wish to regularly check their sensor performance. During use, the film heater is activated to perform a self-test. The heat flux sensor response to the self-test results in a verification of sensor performance. Implicitly also wire connection, data acquisition, thermal connection of the sensor to its environment and data processing are tested. Heat flux sensors are often kept installed for as long as possible. Using self-testing, the user no longer needs to take sensors to the laboratory to verify their stable performance. In a laboratory environment, using a metal heat sink, you may even perform a formal calibration. The heater has a well characterised and traceable surface area and electrical resistance.

The FHF04SC self-calibrating foil heat flux sensor has unique features and benefits:

- heater for self-test
- flexible (bending radius  $\geq 15 \times 10^{-3}$  m)
- low thermal resistance
- wide temperature range
- fast response time
- integrated type T thermocouple
- robustness, including metal connection block, may be used as strain relief
- IP protection class: IP67 (essential for outdoor application)
- integrated thermal spreaders for low thermal conductivity dependence

FHF04SC's suggested use:

- high-accuracy scientific measurement of heat flux, with a high level of data quality assurance
- study of convective heat transfer mechanisms
- calorimeter prototyping
- (zero heat flux) non-invasive core temperature measurement
- thermal conductivity test equipment



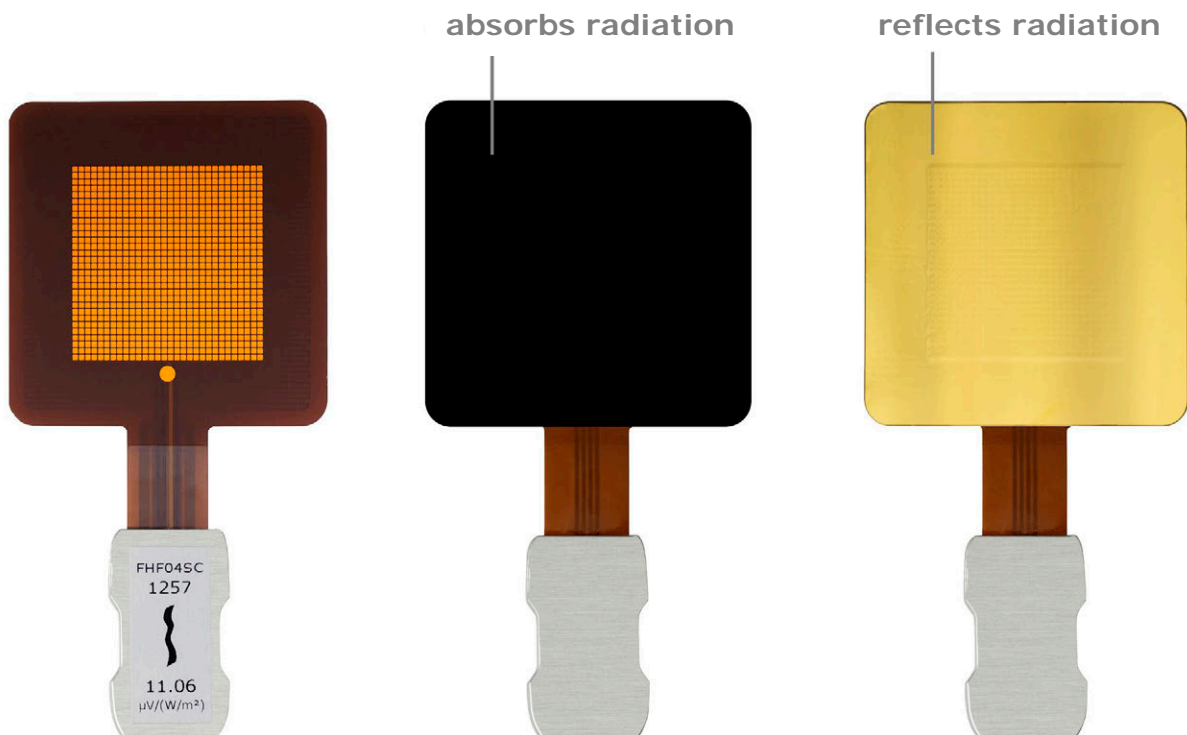
**Figure 0.2** Application example: FHF04SC being installed to measure heat flux on a pipe

Using FHF04SC is easy. It can be connected directly to commonly used data logging systems. The heat flux in  $W/m^2$  is calculated by dividing the FHF04SC output, a small voltage, by the sensitivity. The sensitivity is provided with FHF04SC on its product certificate.

Equipped with wires with strain relief, protective covers on both sides and potted so that moisture does not penetrate the metal connection block, FHF04SC has proven to be very robust and stable. The connection block may be used as strain relief between sensors and wires.

FHF04SC calibration is traceable to international standards. The factory calibration method follows the recommended practice of ASTM C1130 - 17. When used under conditions that differ from the calibration reference conditions, the FHF04SC sensitivity to heat flux may be different than stated on its certificate. See Chapter 2 in this manual for suggested solutions.

Would you like to study energy transport / heat flux in detail? Hukseflux helps taking this measurement to the next level: order FHF04SC with radiation-absorbing black and radiation-reflecting gold stickers. You can then measure convective + radiative flux with one, and convective flux only with the other. Subtract the 2 measurements and you have radiative flux. They can be applied to the sensor by the user or at the factory; see the BLK – GLD sticker series user manual and installation video for instructions.



**Figure 0.3** FHF04SC heat flux sensor: with BLK-5050 and GLD-5050 stickers

See also:

- model **FHF04**, our standard model for general-purpose heat flux measurement
- model **FHF03**, our most economical foil heat flux sensor
- model **HFP01** for increased sensitivity (also consider putting two or more FHF04s in series)
- **BLK - GLD sticker series** to separate radiative and convective heat fluxes
- Hukseflux offers a complete range of **heat flux sensors** with the highest quality for any budget



# 1 Ordering and checking at delivery

## 1.1 Ordering FHF04SC

The standard configuration of FHF04SC is with 2 metres of wire.

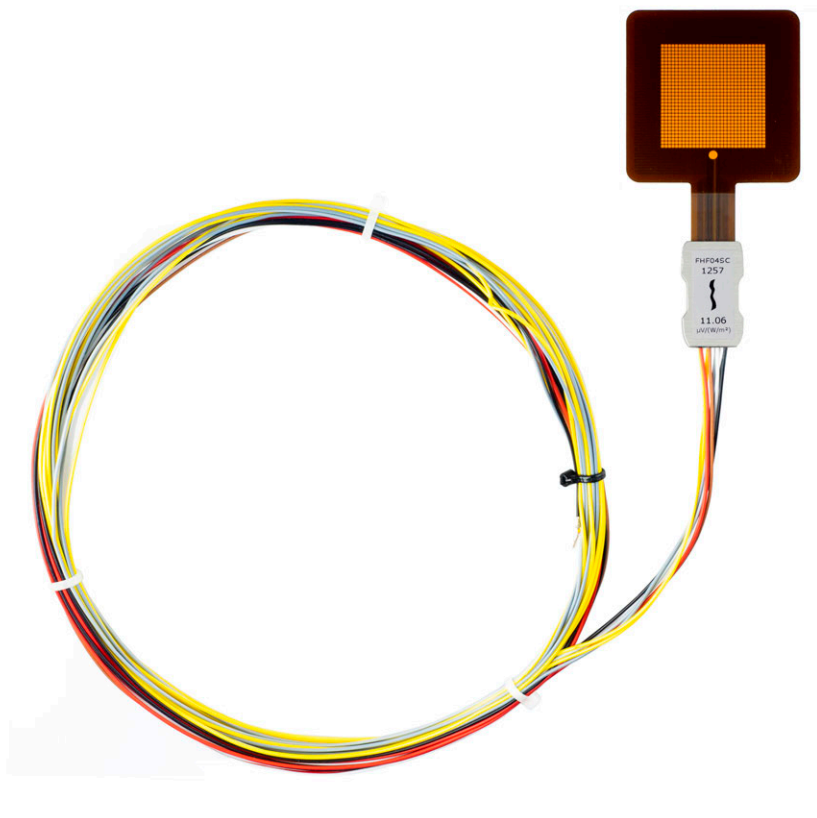
Common options are:

- with 5 metres wire length
- with LI19 hand-held read-out unit / datalogger; NOTE: LI19 does not measure temperature, only heat flux
- BLK-5050 black sticker (to measure radiative as well as convective heat flux)
- GLD-5050 gold sticker (to measure convective heat flux only)
- BLK - GLD sticker series can also be ordered pre-applied at the factory

## 1.2 Included items

Arriving at the customer, the delivery should include:

- heat flux sensor FHF04SC with wires of the length as ordered
- product certificate matching the instrument serial number



**Figure 1.2.1** FHF04SC's serial number and sensitivity are visible on the metal connection block. FHF04SC is delivered with bundled wiring.

### 1.3 Quick instrument check

A quick test of the instrument can be done by connecting it to a multimeter.

1. Check the sensor serial number and sensitivity on the sticker on the metal connection block against the product certificate provided with the sensor.
2. Inspect the instrument for any damage.
3. Check the electrical resistance of the sensor between the red [+] and black [-] wires. Use a multimeter at the 1k  $\Omega$  range. Measure the sensor resistance first with one polarity, then reverse the polarity. Take the average value. The typical resistance of the wiring is 0.1  $\Omega$ /m. Typical resistance should be the nominal sensor resistance of 200  $\Omega$  plus 0.2  $\Omega$  for the total resistance of two wires (back and forth) for each m. Infinite resistance indicates a broken circuit; zero or a lower than 1  $\Omega$  resistance indicates a short circuit.
4. Check the electrical resistance of the thermocouple between the brown [+] and white [-] wires. Use a multimeter at the 100  $\Omega$  range. Measure the thermocouple resistance first with one polarity, then reverse the polarity. Take the average value. The typical resistance of the copper wiring is 0.1  $\Omega$ /m, for the constantan wiring this is 2.5  $\Omega$ /m. Typical resistance should be the nominal thermocouple resistance of 2.5  $\Omega$  plus 2.6  $\Omega$  for the total resistance of the two wires (back and forth) of each m. Infinite resistance indicates a broken circuit; zero or a lower than 1  $\Omega$  resistance indicates a short circuit.
5. Check if the sensor reacts to heat: put the multimeter at its most sensitive range of DC voltage measurement, typically the 100 x 10<sup>-3</sup> VDC range or lower. Expose the sensor to heat. Exposing the back side (the side with the heater) to heat should generate a positive signal between the red [+] and black [-] wires. Doing the same at the front side (the side with the dot), reverses the sign of the output.
6. Check the electrical resistance of the heater between any of the yellow wires and any of the grey wires. Use a multimeter at the 1 k $\Omega$  range. Typical resistance should be around 100  $\Omega$ . Infinite resistance indicates a broken circuit; zero or a lower than 1  $\Omega$  resistance indicates a short circuit.
7. Check the electrical resistance between the 2 yellow wires and the 2 brown wires. These resistances should be in the 0.1  $\Omega$ /m range, so 0.2  $\Omega$  in case of the standard 2 m wire length.

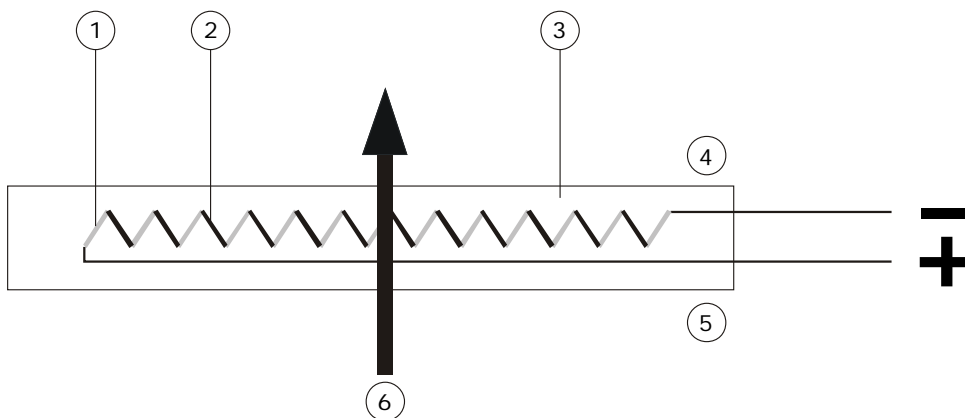
## 2 Instrument principle and theory

FHF04SC's scientific name is heat flux sensor. A heat flux sensor measures the heat flux density through the sensor itself. This quantity, expressed in  $W/m^2$ , is usually called "heat flux".

FHF04SC users typically assume that the measured heat flux is representative of the undisturbed heat flux at the location of the sensor. Users may also apply corrections based on scientific judgement. FHF04SC has an integrated film heater. At a regular interval the film heater can be activated to perform a self-test. The self-test results in a verification of sensor performance. See the next chapters for examples how the self-test may be used. Implicitly also wire connection, data acquisition and data processing are tested.

### 2.1 Theory of operation

The sensor in FHF04SC is a thermopile. This thermopile measures the temperature difference across the polyimide body of FHF04SC. Working completely passive, the thermopile generates a small voltage that is a linear function of this temperature difference. The heat flux is proportional to the same temperature difference divided by the effective thermal conductivity of the heat flux sensor body.



**Figure 2.1.1** The general working principle of a heat flux sensor. The sensor inside FHF04SC is a thermopile. A thermopile consists of a number of thermocouples, each consisting of two metal alloys (marked 1 and 2), electrically connected in series. A single thermocouple generates an output voltage that is proportional to the temperature difference between its hot- and cold-joints. Putting thermocouples in series amplifies the signal. In a heat flux sensor, the hot- and cold-joints are located at the opposite sensor surfaces (4 and 5). In steady state, the heat flux (6) is a linear function of the temperature difference across the sensor and the average thermal conductivity of the sensor body (3). The thermopile generates a voltage output proportional to the heat flux through the sensor. The exact sensitivity of the sensor is determined at the manufacturer by calibration, and can be found on the product certificate that is supplied with each sensor.

Using FHF04SC is easy. For readout the user only needs an accurate voltmeter that works in the millivolt range. To convert the measured voltage,  $U$ , to a heat flux  $\Phi$ , the voltage must be divided by the sensitivity  $S$ , a constant that is supplied with each individual sensor.

$$\Phi = U/S \quad \text{(Formula 2.1.1)}$$

FHF04SC is designed such that heat flux from the back side to the front side generates a positive voltage output signal. The dot on the foil indicates the front side.

Unique features of FHF04SC include flexibility (bending radius  $\geq 15 \times 10^{-3}$  m), high sensitivity, low thermal resistance, a wide temperature range, a fast response time, IP67 protection class rating (essential for outdoor application), and the inclusion of thermal spreaders to reduce thermal conductivity dependence.

FHF04SC is calibrated under the following reference conditions:

- conductive heat flux (as opposed to radiative or convective heat flux)
- homogeneous heat flux across the sensor and guard surface
- room temperature
- heat flux in the order of  $600 \text{ W/m}^2$
- mounted on aluminium heat sink

FHF04SC has been calibrated using a well-conducting metal heat sink, representing a typical industrial application, at  $20 \text{ }^\circ\text{C}$  and exposing it to a conductive heat flux. When used under conditions that differ from the calibration reference conditions, for example at extremely high or low temperatures, or exposed to radiative flux, the FHF04SC sensitivity to heat flux may be different than stated on the certificate. In such cases, the user may choose:

- not to use the sensitivity and only perform relative measurements / monitor changes
- reproduce the calibration conditions by mounting the sensor on or between metal foils
- design a dedicated calibration experiment, for example using a foil heater which generates a known heat flux
- apply our BLK-5050 sticker to the sensor surface to absorb radiation
- apply our GLD-505 sticker to the sensor surface to reflect radiation

The user should analyse his own experiment and make his own uncertainty evaluation. The FHF04SC rated operating temperature range for continuous use is  $-70$  to  $+120 \text{ }^\circ\text{C}$ , for short intervals a peak temperature of  $+150 \text{ }^\circ\text{C}$  is allowed. Prolonged exposure to temperatures near  $+150 \text{ }^\circ\text{C}$  can accelerate the aging process.



**Figure 2.1.2** Heat flux from the back side to the front side generates a positive voltage output signal. The dot on the foil indicates the front side.

## 2.2 The self-test

A self-test is started by switching on FHF04SC's heater, while recording the sensor output signal and the heater power, and is finalised by switching the heater off. During the heating interval a current is fed through the film heater, which generates a known heat flux. To calculate this heat flux the heater power  $P_{\text{heater}}$  must be measured accurately. This power can be measured in several different ways;

- heater voltage and current,  $P_{\text{heater}} = U_{\text{heater}} \cdot I_{\text{heater}}$  (Formula 2.2.1)
- heater voltage and known heater resistance,  $P_{\text{heater}} = U_{\text{heater}}^2 / R_{\text{heater}}$  (Formula 2.2.2)
- heater current and known heater resistance,  $P_{\text{heater}} = I_{\text{heater}}^2 \cdot R_{\text{heater}}$  (Formula 2.2.3)

The user must interrupt the normal measurement of the heat flux during the self-test. We recommend that the heat flux value of just before the heating interval is copied for at least 360 s.

Analysis of the heat flux sensor response to the heating, the self-test, serves several purposes:

- first, the amplitude and response time under comparable conditions are indicators of the sensor stability. See Section 2.4 and 2.5 for application examples.
- second, the functionality of the complete measuring system is verified. For example: a broken cable is immediately detected.
- third, under the right conditions, after taking the sensor out of its normal environment, the self-test may be used as calibration. See Section 2.3 for more details.

## 2.3 Calibration

FHF04SC calibration is traceable to international standards. The factory calibration method follows the recommended practice of ASTM C1130 - 17. When used under conditions that differ from the calibration reference conditions, the FHF04SC sensitivity to heat flux may be different than stated on its certificate.

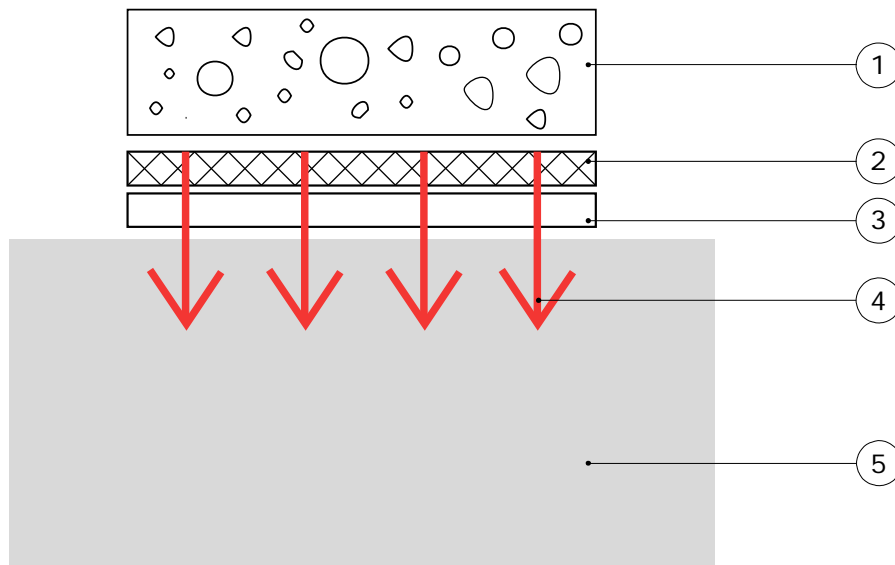
In a typical calibration setup as shown in the next figure, the FHF04SC is positioned between an insulating material and a heatsink with the FHF04SC heater on the side of the insulating material. In such a setup, the heat losses through the insulation may be ignored. In this case all heat generated by the heater flows through the heat flux sensor to the heat sink. Measuring the heater power  $P_{\text{heater}}$ , and dividing by the surface area  $A_{\text{heater}}$ , gives the applied heat flux:

$$\Phi = P_{\text{heater}} / A_{\text{heater}} \quad (\text{Formula 2.3.1})$$

The heat flux sensor sensitivity  $S$  is the voltage output  $U_{\text{sensor}}$  divided by the applied heat flux  $\Phi$ :

$$S = U_{\text{sensor}} / \Phi \quad (\text{Formula 2.3.2})$$

The reproducibility of this test is much improved when using contact material (such as glycerol or a thermal paste) between sensor and heat sink.



**Figure 2.3.1** Calibration of FHF04SC; a typical stack used for calibration consists of a block of metal (mass > 1 kg), for example aluminium (5), the heat flux sensor (3), with heater (2) and an insulation foam (1). Under these conditions, heat losses through the insulation are negligible. Heat flux (4) flows from hot to cold.

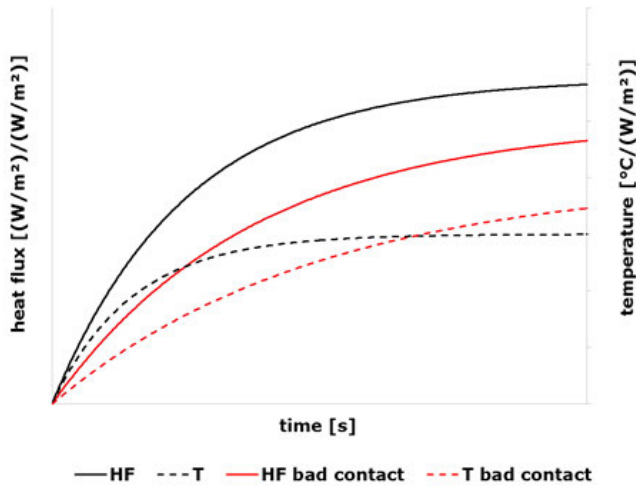
## 2.4 Application example

The FHF04SC heater can be used to check for stable performance of the FHF04SC at regular intervals without the need to uninstall the sensor from its application.

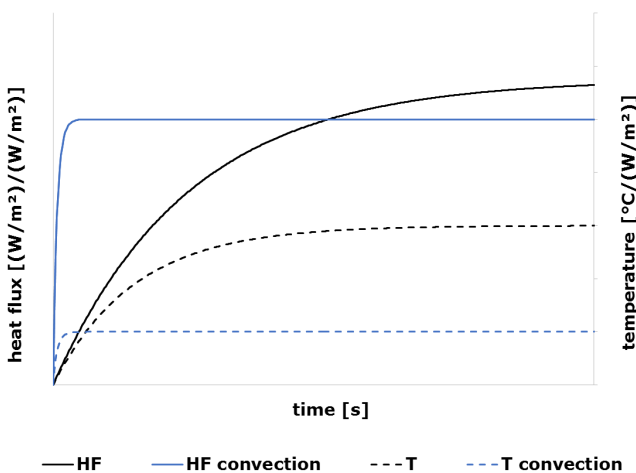
A typical stability check is performed based on the step response of the measured heat flux and sensor temperature to a heat flux applied by the heater. Upon installing the sensor a reference measurement should be made. A time trace of the heater power, the measured heat flux and the measured sensor temperature should be stored as reference data. Stable operation of the sensor can then be confirmed at any time by comparing to the reference measurement. The test protocol consists of the following steps:

1. Make sure that the absolute temperature is similar to that during the reference measurement.
2. Check the heater resistance stability. This can be done accurately by using the four heater wires to conduct a four-point resistance measurement.
3. Record a time trace of the heater power, the measured heat flux and the sensor temperature; the same parameters as in the reference data. Normalise the data by the heater power. Under normal circumstances (if the heater is stable) this process scales with  $U_{\text{heater}}^2$ .

4. Compare patterns of heat flux and temperature rise and fall. In both cases relative to the values just before heating.
  - When signal patterns match but the amplitude differs (after correction for heater power), this points towards sensor instability. In such a case, recalibration of the sensor may be required.
  - Non-matching patterns point towards changes in sensor environment. This can for example be the result of a loss of thermal contact between sensor and object.



**Figure 2.4.1** *In situ sensor stability check. Comparison of responses to stepwise heating relative to reference curves. Normalised to heater power ( $P$ ) and relative to the heat flux and the temperature just before heating. Solid graphs show heat flux, dotted graphs show temperature. The black HF and T signals are the reference curves at good thermal contact. When the sensor loses thermal contact, this results in the red responses: slower response times, lower heat flux and higher temperature rise.*



**Figure 2.4.2** *In situ sensor stability check. Comparison of responses to stepwise heating relative to reference curves. Normalised to heater power ( $P$ ) and relative to the heat flux and the temperature just before heating. Solid graphs show heat flux, dotted graphs show temperature. The black HF and T signals are the reference curves at zero wind speed. The sensor is exposed to convection, which results in the blue responses: faster response times at lower heat flux and lower temperature rise.*

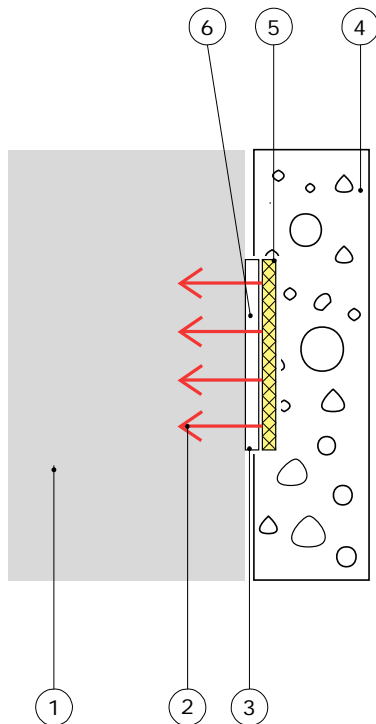


## 2.5 Application example: non-invasive core temperature measurement

FHF04SC may be used for non-invasively measuring the core temperature of objects, for example of human beings.

The measurement is usually done with a sandwich of objects – heat flux & temperature sensor-heater- insulation material. To determine the core temperature, the heater power should be adjusted such that the heat flux equals zero. When zero heat flux is attained, the temperature gradient equals zero and the measured temperature equals the core temperature.

To perform such a measurement a PID controller can be used to regulate the heating power. The setpoint of the PID controller should be set to zero heat flux. The PID controller can regulate the heater power either through a 0 – 12 V programmable power supply or via a solid-state relay controlled with a pulse-width-modulated signal.



**Figure 2.5.1** FHF04SC in a non-invasive core-temperature measurement. For measurement of the core temperature (1), the heater (5) is controlled to a setpoint of zero heat flux (2) measured by the heat flux sensor (3). At zero heat flux, the temperature of the core (1) and the temperature sensor (6) are equal. Insulation material (4) is attached to work at stable boundary conditions.

## 3 Specifications of FHF04SC

### 3.1 Specifications of FHF04SC

FHF04SC measures the heat flux density through the surface of the sensor. This quantity, expressed in  $W/m^2$ , is called heat flux. Working completely passive, using a thermopile sensor, FHF04SC generates a small output voltage proportional to this flux. It can only be used in combination with a suitable measurement system.

**Table 3.1.1** *Specifications of FHF04SC (continued on next pages)*

| <b>FHF04SC SPECIFICATIONS</b>                     |   |
|---|---|
| Sensor type                                       | foil heat flux sensor   |
| Sensor type according to ASTM                     | heat flow sensor or heat flux transducer  |
| Measurand   | heat flux   |
| Measurand in SI units                             | heat flux density in $W/m^2$  |
| Measurement range                                 | $(-10 \text{ to } +10) \times 10^3 \text{ W/m}^2$ at heat sink temperature $20 \text{ }^\circ\text{C}$<br>see appendix for detailed calculations              |
| Sensitivity range                                 | $9 - 13 \times 10^{-6} \text{ V/(W/m}^2)$   |
| Sensitivity (nominal)                             | $11 \times 10^{-6} \text{ V/(W/m}^2)$   |
| Directional sensitivity                           | heat flux from the back side to the front side (side with the dot) generates a positive voltage output signal   |
| Increased sensitivity                             | multiple sensors may be put electrically in series. The resulting sensitivity is the sum of the sensitivities of the individual sensors                       |
| Expected voltage output                           | $(-100 \text{ to } +100) \times 10^{-3} \text{ V}$<br>turning the sensor over from one side to the other will lead to a reversal of the sensor voltage output |
| Measurement function / required programming       | without self-test: $\Phi = U/S$<br>with self-test: depends on application   |
| Required readout                                  | 1 differential voltage channel or 1 single ended voltage channel, input resistance $> 10^6 \Omega$  |
| Optional readout                                  | 1 temperature channel   |
| Rated load on wires                               | $\leq 1.6 \text{ kg}$   |
| Rated bending radius                              | $\geq 15 \times 10^{-3} \text{ m}$  |
| Rated operating temperature range, continuous use | $-70 \text{ to } +120 \text{ }^\circ\text{C}$   |
| Rated operating temperature range, short interval | $-160 \text{ to } +150 \text{ }^\circ\text{C}$<br>(contact Hukseflux when measuring at $-160 \text{ }^\circ\text{C}$ )  |
| Temperature dependence                            | $< 0.2 \text{ } \%/^\circ\text{C}$  |
| Non-linearity                                     | $< 5 \text{ } \%$ ( $0 \text{ to } 10 \times 10^3 \text{ W/m}^2$ )  |
| Solar absorption coefficient                      | 0.75 (indication only)  |
| Thermal conductivity dependence                   | Negligible, $< 3 \text{ } \%/(\text{W/m}\cdot\text{k})$ from 270 to $0.3 \text{ W/m}\cdot\text{K}$  |
| Sensor length and width                           | $(50 \times 50) \times 10^{-3} \text{ m}$   |
| Sensing area                                      | $9 \times 10^{-4} \text{ m}^2$  |
| Sensing area length and width                     | $(30 \times 30) \times 10^{-3} \text{ m}$   |
| Passive guard area                                | $16 \times 10^{-4} \text{ m}^2$   |
| Guard width to thickness ratio                    | 33  |
| Sensor thickness                                  | $0.7 \times 10^{-3} \text{ m}$  |
| Sensor thermal resistance                         | $24 \times 10^{-4} \text{ K/(W/m}^2)$   |
| Sensor thermal conductivity                       | $0.29 \text{ W/(m}\cdot\text{K)}$   |
| Response time (95 %)                              | 6 s   |
| Sensor resistance range                           | 160 to $240 \Omega$   |
| Required sensor power                             | zero (passive sensor)   |

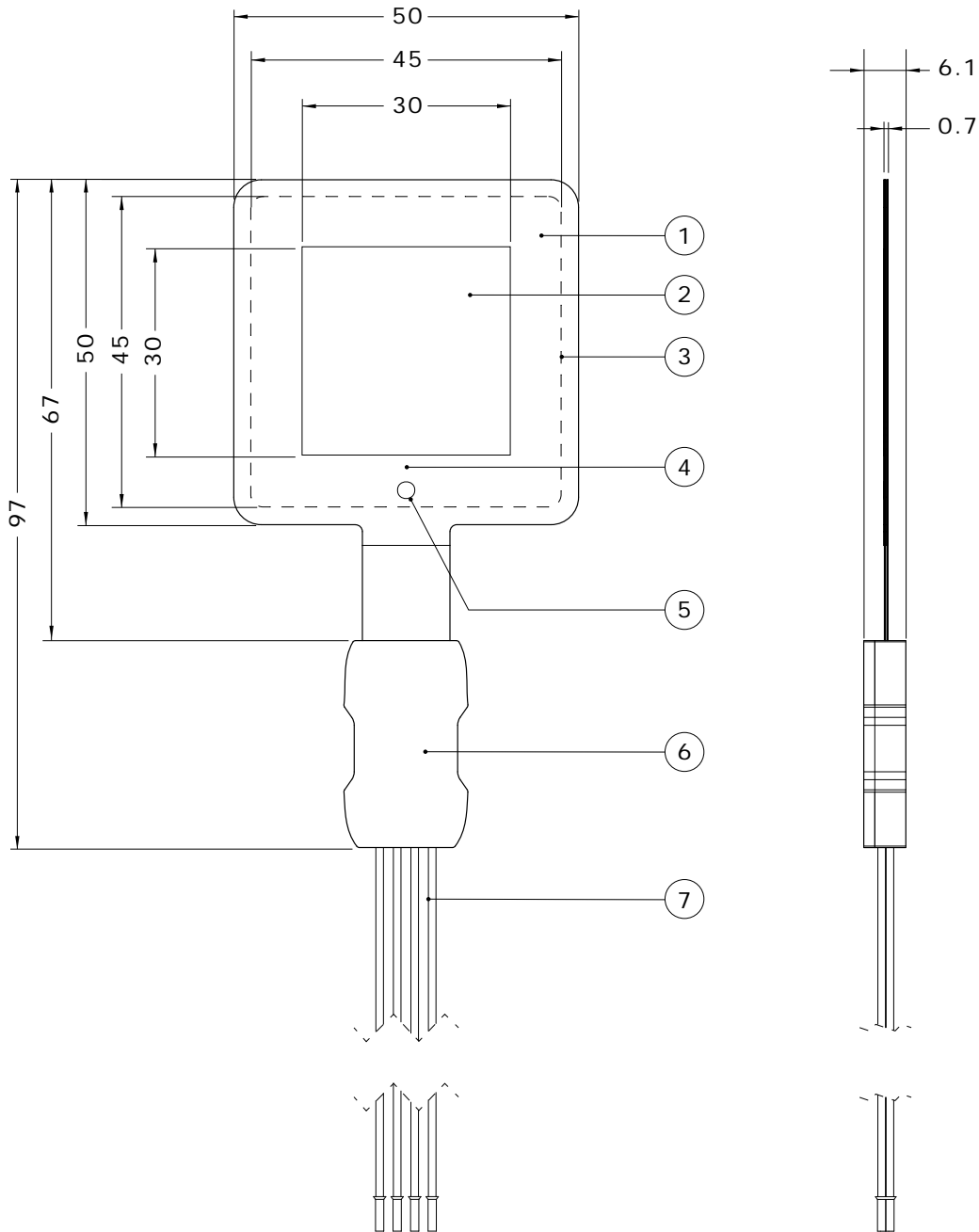
**Table 3.1.1** Specifications of FHF04SC (started on previous page)

|   |   |
|---|---|
| Temperature sensor                                  | type T thermocouple   |
| Temperature sensor accuracy                         | $\pm 2\%$ (of temperature in $^{\circ}\text{C}$ ), see appendix for more information  |
| Standard wire length                                | 2 m   |
| Wiring  | 3 x copper and 1 x constantan wire, AWG 24, stranded  |
| Wire diameter                                       | $1 \times 10^{-3}$ m  |
| Marking   | dot on foil indicating front side of the heat flux sensor;<br>1 x label on metal connection block, showing serial number and sensitivity  |
| IP protection class                                 | IP67  |
| Rated operating relative humidity range             | 0 to 100 %  |
| Use under water                                     | FHF04SC is not suitable for continuous use under water  |
| Gross weight including 2 m wires                    | approx. 0.5 kg  |
| Net weight including 2 m wires                      | approx. 0.5 kg  |
| <b>HEATER</b>                                       |   |
| Heater resistance (nominal)                         | $100 \Omega \pm 10\%$<br>(measured value supplied with each sensor in the production report)  |
| Heater rated power supply                           | 24 VDC  |
| Heater power supply                                 | 12 VDC (nominal)  |
| Heater area   | $0.002062 \text{ m}^2$  |
| Suggested current sensing resistor                  | $10 \Omega \pm 0.1\%$ , 0.25 W, < 15 ppm/ $^{\circ}\text{C}$  |
| <b>SELF-TEST</b>                                    |   |
| Power consumption during heating interval (nominal) | 1.44 W (@ 12 VDC)   |
| Self-test duration                                  | 360 s (nominal)   |
| Heater interval duration                            | 180 s (nominal)   |
| Settling interval duration                          | 180 s (nominal)   |
| <b>INSTALLATION AND USE</b>                         |   |
| Typical conditions of use                           | in experiments, in measurements in laboratory and industrial environments. Exposed to heat fluxes for periods of several minutes to several years. Connected to user-supplied data acquisition equipment. Regular inspection of the sensor. Continuous monitoring of sensor temperature. No special requirements for immunity, emission, chemical resistance. |
| Recommended number of sensors                       | 2 per measurement location  |
| Installation  | see recommendations in this user manual   |
| Bending   | see chapter on installation on curved surfaces  |
| Wire extension                                      | see chapter on wire extension or order sensors with longer wires  |
| <b>CALIBRATION</b>                                  |   |
| Calibration traceability                            | to SI units   |
| Product certificate                                 | included<br>(showing calibration result and traceability)   |
| Calibration method                                  | method HFPC, according to ASTM C1130 - 17   |
| Calibration hierarchy                               | from SI through international standards and through an internal mathematical procedure  |
| Calibration uncertainty                             | $< \pm 5\%$ ( $k = 2$ )   |
| Recommended recalibration interval                  | 2 years   |

**Table 3.1.1** *Specifications of FHF04SC (started on previous pages)*

|                                  |  |
|----------------------------------|--|
| Calibration reference conditions | 20 °C, heat flux of 600 W/m <sup>2</sup> , mounted on aluminium heat sink, thermal conductivity of the surrounding environment 0.0 W/(m·K)   |
| Validity of calibration          | based on experience the instrument sensitivity will not change during storage. During use the instrument “non-stability” specification is applicable. When used under conditions that differ from the calibration reference conditions, the FHF04SC sensitivity to heat flux may be different than stated on its certificate. See the chapter on instrument principle and theory for suggested solutions |
| Field calibration                | is possible by comparison to a calibration reference sensor. Usually mounted side by side, alternative on top of the field sensor. Preferably reference and field sensor of the same model and brand. Typical duration of test > 24 h  |
| <b>MEASUREMENT ACCURACY</b>      |  |
| Uncertainty of the measurement   | statements about the overall measurement uncertainty can only be made on an individual basis.  |
| <b>VERSIONS / OPTIONS</b>        |  |
| With longer wire length          | option code = wire length in metres  |
| With black sticker applied       | BLK-5050 applied to the sensor at the factory to absorb radiation  |
| With gold sticker applied        | GLD-5050 applied to the sensor at the factory to reflect radiation   |
| <b>ACCESSORIES</b>               |  |
| Hand-held read-out unit          | LI19 handheld read-out unit / datalogger<br>NOTE: LI19 does not measure temperature, only heat flux  |
| Separate black stickers          | BLK-5050 to absorb radiation, to be applied by the user  |
| Separate gold sticker            | GLD-5050 to reflect radiation, to be applied by the user   |

### 3.2 Dimensions of FHF04SC



**Figure 3.2.1** FHF04SC heat flux sensor; dimensions in  $\times 10^{-3}$  m

- (1) sensing area with thermal spreaders
- (2) passive guard
- (3) contour of the heater area for self-test
- (4) type T thermocouple
- (5) dot indicating front side
- (6) metal connection block showing serial number and sensitivity
- (7) wires, standard length 2 m

## 4 Standards and recommended practices for use

FHF04SC should be used in accordance with recommended practices.

### 4.1 Heat flux measurement in industry

FHF04SC sensors are often used to measure on industrial walls and metal surfaces, estimating the installation's energy balance and the thermal transmission of walls. Typically the total measuring system consists of multiple heat flux- and temperature sensors. In many cases heat flux sensors are used for trend-monitoring. In such cases reproducibility is more important than absolute measurement accuracy.



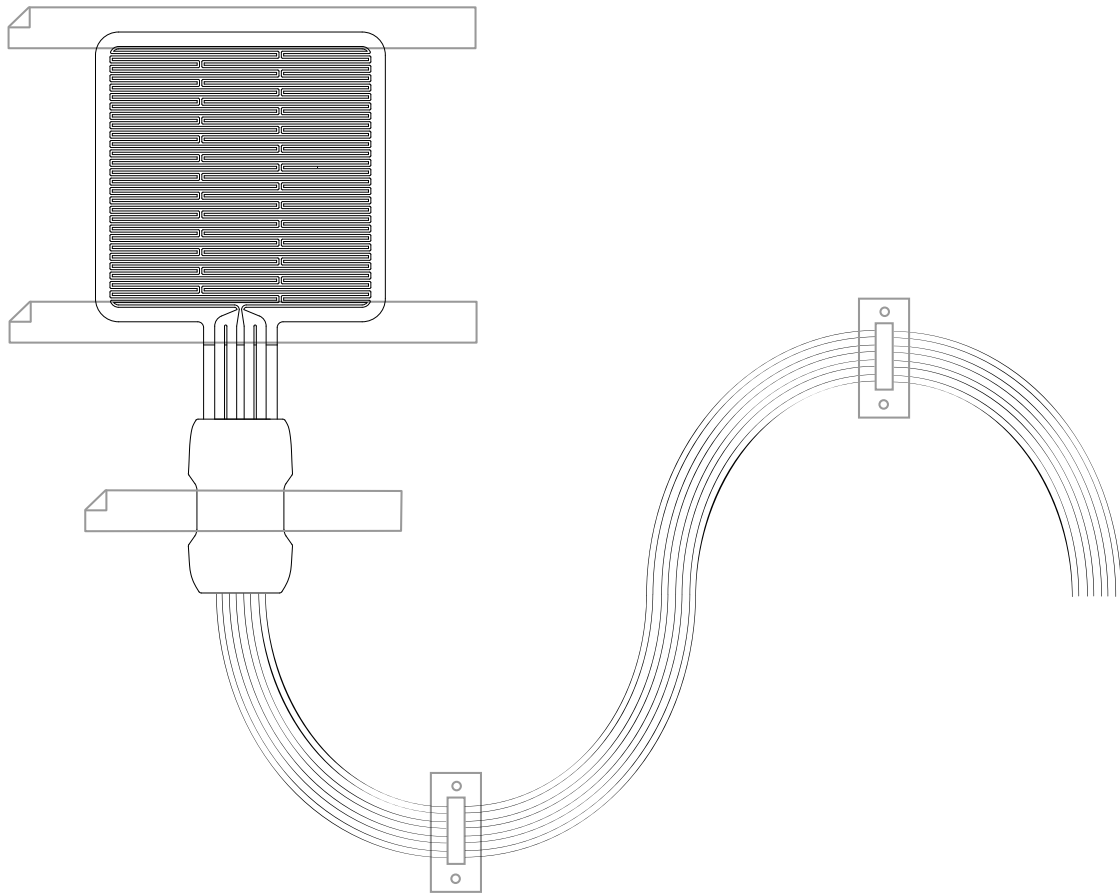
**Figure 4.1.1** Example of an FHF04SC foil heat flux sensor being installed for measurement on an industrial pipe. The sensor is mounted on a well-prepared curved surface.

## 5 Installation of FHF04SC

### 5.1 Site selection and installation

**Table 5.1.1** *Recommendations for installation of FHF04SC heat flux sensors*

|   |  |
|---|--|
| Location  | <p>choose a location that is representative of the process that is analysed if possible, avoid exposure to sun, rain, etc.</p> <p>do not expose to drafts and lateral heat fluxes</p> <p>do not mount in the vicinity of thermal bridges, cracks, heating or cooling devices and fans</p>  |
| Performing a representative measurement                               | <p>we recommend using &gt; 2 sensors per measurement location. This redundancy also improves the assessment of the measurement accuracy</p>  |
| Mounting  | <p>when mounting an FHF04SC, keep the directional sensitivity in mind</p> <p>orient the heater away from the object on which it is mounted</p> <p>heat flux from the back side (side with heater) to the front side (side with dot) generates a positive voltage output signal</p> <p>fix the metal connection block to the object of interest so that the temperature or the connection block remains as close as possible to that of the heat flux sensor. This is a way to achieve the highest accuracy temperature measurement (see appendix).</p>   |
| Surface cleaning and levelling  | <p>create a clean and smooth surface of at least <math>(50 \times 50) \times 10^{-3}</math> m</p>  |
| Mechanical mounting: avoiding strain on the sensor to wire transition | <p>during installation as well as operation, the user should provide proper strain relief on the wires so that the metal connection block is not exposed to significant force</p> <p>first install the sensor by providing strain relief on the metal connection block and after that install the wires including additional strain relief</p>   |
| Short term installation   | <p>avoid any air gaps between sensor and surface. Air thermal conductivity is in the <math>0.02 \text{ W}/(\text{m}\cdot\text{K})</math> range, while a common glue has a thermal conductivity around <math>0.2 \text{ W}/(\text{m}\cdot\text{K})</math>. A <math>0.1 \times 10^{-3}</math> m air gap increases the effective thermal resistance of the sensor by 200 %</p> <p>to avoid air gaps, we recommend thermal paste or glycerol for short term installation</p> <p>use tape to fixate the sensor on the surface. If possible, tape only over the passive guard area (surrounding the sensing area). See Figure 3.2.1</p> <p>use tape to fixate the metal connection block of the sensor</p> <p>usually the wires are fixated with an additional strain relief, for example using a cable tie mount as in Figure 5.1.1</p> |
| Permanent installation  | <p>for long-term installation fill up the space between sensor and object with silicone construction sealant, silicone glue or silicone adhesive, that can be bought at construction depots.</p> <p>we discourage the use of thermal paste for permanent installation because it tends to dry out. silicone glue is more stable and reliable</p>   |
| Signal amplification  | <p>see the paragraph on electrical connection</p>  |



**Figure 5.1.1** *Installation of FHF04SC using tape to fixate the sensor and the metal connection block. Extra strain relief on the wires is provided using cable tie mounts equipped with double sided tape as adhesive. As indicated in Table 5.1.1, tapes fixating the sensor are preferably taped over the passive guard area and not on the sensing area (the latter indicated by grey shading in Figure 5.1.1). Please note the dot is NOT visible in this image; this indicates that we are viewing the back side and that the other side, the front side, is attached on the object on which the sensor is mounted, as explained in Chapter 2.*

See also our application note on [how to install a heat flux sensor](#).



## 5.2 Installation on curved surfaces

The flexibility of the FHF04SC makes it perfectly suitable to be installed on singly curved surfaces. The sensor can be bent around any axis.



**Figure 5.2.1** *Bending of an FHF series foil heat flux sensor, in this image on a pipe.*

When measuring on curved surfaces, the same recommendations of the previous chapter apply, except that the use of thermal paste is recommended over glycerol. For installation on curved surfaces, it is usually not achievable to tape only over the passive guard area. Use sufficient tape to make sure the sensor remains fixed and in good thermal contact with curved surface. Avoid air gaps. Tape can be used over the sensing area when necessary.

**Table 5.2.1** *Extra recommendations for installation of FHF04SC foil heat flux sensors on curved surfaces*

|                       |   |
|-----------------------|---|
| Bending               | Sensor can be bent in both directions   |
| Rated bending radius  | $\geq 15 \times 10^{-3} \text{ m}$      |
| Effect on sensitivity | No significant influence on sensitivity |

### 5.3 Electrical connection

#### 5.3.1 Normal connection

FHF04SC has two separate sets of wires, one set for the heat flux signal, and one set for the heater. The latter are yellow and grey.

To read out the heat flux sensor, FHF04SC should be connected to a measurement system, such as a voltmeter, an amplifier, a datalogger or a data-acquisition (DAQ) system. The FHF04SC electrical connections are explained in Table 5.4.1.1. FHF04SC heat flux sensor is a passive sensor that does not require any power. FHF04SC's heater does require power.

Wires may pick up capacitive noise, which can lead to signal distortion. Therefore we recommend keeping the electrical connections between the measurement system and the FHF04SC as short as possible and to keep the signal wires close to each other. For instructions on wire extension please refer to Appendix 7.1.

**Table 5.3.1.1** *The electrical connection of FHF04SC*

| WIRE  | HEAT FLUX               | WIRE   | HEATER             |
|-------|-------------------------|--------|--------------------|
| Red   | heat flux signal [+]    | Yellow | heater power [+]   |
| Black | heat flux signal [-]    | Yellow | heater measure [+] |
| White | thermocouple type T [-] | Grey   | heater power [-]   |
| Brown | thermocouple type T [+] | Grey   | heater measure [-] |

The sensor serial number and sensitivity are shown on the FHF04SC product certificate and on FHF04SC's metal connection block.

|   |
|---|
| <b>NOTICE</b>   |
| <b>Putting more than 24 Volt across the sensor wiring can lead to permanent damage to the sensor.</b> |

To apply power to the FHF04SC heater, it should be connected to a 12 V power supply. To measure the power  $P_{\text{heater}}$ , the heater can be connected in several different ways, measuring:

- heater voltage and current,  $P_{\text{heater}} = U_{\text{heater}} \cdot I_{\text{heater}}$  (Formula 5.3.1.1)
- heater voltage and known heater resistance,  $P_{\text{heater}} = U_{\text{heater}}^2 / R_{\text{heater}}$  (Formula 5.3.1.2)
- heater current and known heater resistance,  $P_{\text{heater}} = I_{\text{heater}}^2 \cdot R_{\text{heater}}$  (Formula 5.3.1.3)

To apply a variable controlled heat flux, the heater can either be connected via a solid state relay controlled by a pulse-width modulated (PWM) signal or to a 0 – 12 V programable power supply. The power generated by the heater can be accurately measured by making a four-point measurement. To this end the heater has a four-wire connection.

### 5.3.2 Increasing sensitivity, connecting multiple sensors in series

Multiple sensors may be electrically connected in series. The resulting sensitivity is the sum of the sensitivity of the individual sensors. Below the equations in case two sensors are used. If needed, more than two sensors may be put in series, again increasing the sensitivity.

$$\Phi = U / (S_1 + S_2) \quad \text{(Formula 5.3.2.1)}$$

and

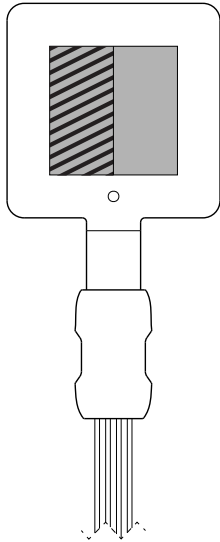
$$U = U_1 + U_2 \quad \text{(Formula 5.3.2.2)}$$

**Table 5.3.2.1** *The electrical connection of two FHF04SCs, 1 and 2, in series. In such case the sensitivity is the sum of the two sensitivities of the individual sensors. More sensors may be added in a similar manner*

| SENSOR | WIRE  |                         | MEASUREMENT SYSTEM          |
|--------|-------|-------------------------|-----------------------------|
| 1      | Red   | signal 1 [+]            | voltage input [+]           |
| 1      | Black | signal 1 [-]            | connected to signal 2 [+]   |
| 1      | Brown | thermocouple type T [+] |                             |
| 1      | White | thermocouple type T [-] |                             |
| 2      | Red   | signal 2 [+]            | connected to signal 1 [-]   |
| 2      | Black | signal 2 [-]            | voltage input [-] or ground |
| 2      | Brown | thermocouple type T [+] |                             |
| 2      | White | thermocouple type T [-] |                             |

The serial number and sensitivity of the individual sensors are shown on the FHF04SC product certificate and on the sticker.

### 5.3.3 Connection to read out half signals



See the figure on the left: FHF04SC can be connected to read out only the heat flux through the left half of the sensing area or the heat flux through the right half of the sensing area. This feature may be used for quality assurance purposes; if the sensor is correctly installed, a constant percentage of the signal will be generated by the left – and right.

**Figure 5.3.3.1** FHF04SC with left half indicated by diagonal lines

**Table 5.3.3.1** The electrical connection of FHF04SC for 100 % signal

| WIRE  | MEASUREMENT SYSTEM      |                             |
|-------|-------------------------|-----------------------------|
| Red   | heat flux signal [+]    | voltage input [+]           |
| Black | heat flux signal [-]    | voltage input [-] or ground |
| Brown | thermocouple type T [+] |                             |
| White | thermocouple type T [-] |                             |

**Table 5.3.3.2** The electrical connection of FHF04SC for left 50 % signal

| WIRE  | MEASUREMENT SYSTEM      |                             |
|-------|-------------------------|-----------------------------|
| Red   | heat flux signal [+]    | voltage input [+]           |
| Black | heat flux signal [-]    |                             |
| Brown | thermocouple type T [+] | voltage input [-] or ground |
| White | thermocouple type T [-] |                             |
| Grey  | shield                  | ground                      |

**Table 5.3.3.3** The electrical connection of FHF04SC for right 50 % signal

| WIRE  | MEASUREMENT SYSTEM      |                             |
|-------|-------------------------|-----------------------------|
| Red   | heat flux signal [+]    |                             |
| Black | heat flux signal [-]    | voltage input [-] or ground |
| Brown | thermocouple type T [+] | voltage input [+]           |
| White | thermocouple type T [-] |                             |

## 5.4 Requirements for data acquisition / amplification

The selection and programming of dataloggers is the responsibility of the user. Please contact the supplier of the data acquisition and amplification equipment to see if directions for use with the FHF04SC are available. In case a program for similar instruments is available, this can be used. FHF04SC can be treated in the same way as other heat flux sensors and (analogue) thermopile pyranometers.

**NOTICE**

**Do not use "open circuit detection" when measuring the sensor output.**

**Table 5.4.1** Requirements for data acquisition and amplification equipment for FHF04SC in the standard configuration

|  |   |
|--|---|
| Capability to measure small voltage signals    | preferably: $< 5 \times 10^{-6}$ V uncertainty<br>minimum requirement: $20 \times 10^{-6}$ V uncertainty<br>(valid for the entire expected temperature range of the acquisition / amplification equipment)  |
| Capability for the data logger or the software | to store data, and to perform division by the sensitivity to calculate the heat flux.<br>$\Phi = U/S$   |
| Capability to measure thermocouple type T      | preferably: $< \pm 3$ °C uncertainty  |
| Data acquisition input resistance              | $> 1 \times 10^6 \Omega$  |
| Open circuit detection (WARNING)               | open-circuit detection should not be used, unless this is done separately from the normal measurement by more than 5 times the sensor response time and with a small current only. Thermopile sensors are sensitive to the current that is used during open circuit detection. The current will generate heat, which is measured and will appear as a temporary offset. |

## 6 Maintenance and trouble shooting

### 6.1 Recommended maintenance and quality assurance

FHF04SC measures reliably at a low level of maintenance. Unreliable measurement results are detected by scientific judgement, for example by looking for unreasonably large or small measured values. The preferred way to obtain a reliable measurement is a regular critical review of the measured data, preferably checking against other measurements.

**Table 6.1.1** *Recommended maintenance of FHF04SC. If possible the data analysis is done on a daily basis*

| MINIMUM RECOMMENDED HEAT FLUX SENSOR MAINTENANCE |          |                     |  |
|--|----------|---------------------|--|
|  | INTERVAL | SUBJECT             | ACTION   |
| 1  | 1 week   | data analysis       | compare measured data to the maximum possible or maximum expected heat flux and to other measurements for example from redundant instruments.<br>Look for any patterns and events that deviate from what is normal or expected. Compare to acceptance intervals. |
| 2  | 6 months | inspection          | inspect wire quality, inspect mounting, inspect location of installation   |
| 3  | 2 years  | recalibration       | recalibration by comparison to a calibration standard instrument in the field, see Paragraph 6.3.<br><br>recalibration by the sensor manufacturer  |
| 4  | 2 years  | lifetime assessment | judge if the instrument will be reliable for another 2 years, or if it should be replaced  |

## 6.2 Trouble shooting

**Table 6.2.1** *Trouble shooting for FHF04SC*

|  |   |
|--|---|
| General  | <p>Inspect the sensor for any damage. Inspect the quality of mounting / installation. Inspect if the wires are properly attached to the data logger.</p> <p>Check the condition of the wires.</p> <p>Check the datalogger program in particular if the right sensitivity is entered. FHF04SC sensitivity and serial number are shown on the product certificate and on the sticker.</p> <p>Check if the correct thermocouple type is chosen in the datalogger program.</p> <p>Check the electrical resistance of the sensor between the black [-] and red [+] wires. Use a multimeter at the 1k <math>\Omega</math> range. Measure the sensor resistance first with one polarity, then reverse the polarity. Take the average value. The typical resistance of the wiring is 0.1 <math>\Omega</math>/m. Typical resistance should be the nominal sensor resistance of 200 <math>\Omega</math> plus 0.2 <math>\Omega</math> for the total resistance of two wires (back and forth) of each m. Infinite resistance indicates a broken circuit; zero or a lower than 1 <math>\Omega</math> resistance indicates a short circuit.</p> |
| The sensor does not give any signal                  | <p>Check if the sensor reacts to heat: put the multimeter at its most sensitive range of DC voltage measurement, typically the 100 x 10<sup>-3</sup> VDC range or lower. Expose the sensor to heat. Exposing the back side (the side with the heater) to heat should generate a positive signal between the red [+] and black [-] wires, doing the same at the front side (the side with the dot), the sign of the output reverses. Check the data acquisition by replacing the sensor with a spare unit.</p>   |
| The sensor signal is unrealistically high or low     | <p>Check the wire condition.</p> <p>Check the data acquisition by applying a 1 x 10<sup>-6</sup> V source to it in the 1 x 10<sup>-6</sup> V range. Look at the measurement result. Check if it is as expected.</p> <p>Check the data acquisition by short circuiting the data acquisition input with a 10 <math>\Omega</math> resistor. Look at the output. Check if the output is close to 0 W/m<sup>2</sup>.</p>   |
| The sensor signal shows unexpected variations        | <p>Check the presence of strong sources of electromagnetic radiation (radar, radio).</p> <p>Check the condition of the sensor wires.</p> <p>Check if the wires are not moving during the measurement.</p>   |
| The temperature measurement shows unrealistic values | <p>Check if the correct thermocouple type (Type T) is chosen in the datalogger program</p> <p>Check if a correct reference temperature is chosen in the program</p> <p>Check the electrical resistance of the thermocouple between the brown [+] and white [-] wires. Use a multimeter at the 100 <math>\Omega</math> range. Measure the thermocouple resistance first with one polarity, then reverse the polarity. Take the average value. The typical resistance of the copper wiring is 0.1 <math>\Omega</math>/m, for the constantan wiring this is 2.5 <math>\Omega</math>/m. Typical resistance should be the nominal thermocouple resistance of 2.5 <math>\Omega</math> plus 2.6 <math>\Omega</math> for the total resistance of the two wires of each metre (back and forth). Infinite resistance indicates a broken circuit; zero or a lower than 1 <math>\Omega</math> resistance indicates a short circuit.</p> <p>Make sure the temperature of the connection block remains as close as possible to that of the heat flux sensor. See appendix on temperature measurement accuracy for more information.</p>         |

### 6.3 Calibration and checks in the field

The recommended calibration interval of heat flux sensors is 2 years.  
Recalibration of field heat flux sensors is ideally done by the sensor manufacturer.

On-site field calibration is possible by comparison to a calibration reference sensor.  
Usually mounted side by side, alternatively mounted on top of the field sensor.

Hukseflux main recommendations for field calibrations are:

- 1) to compare to a calibration reference of the same brand and type as the field sensor
- 2) to connect both to the same electronics, so that electronics errors (also offsets) are eliminated
- 3) to mount all sensors on the same platform, so that they have the same body temperature
- 4) typical duration of test: > 24 h
- 5) typical heat fluxes used for comparison: > 200 W/m<sup>2</sup>
- 6) to correct deviations of more than  $\pm 20\%$ . Lower deviations should be interpreted as acceptable and should not lead to a revised sensitivity

Users may also design their own calibration experiment, for example using a well characterised foil heater.





## 7 Appendices

### 7.1 Appendix on wire extension

FHF04SC is equipped with four wires. Standard wire length is 2 m. It is possible to order FHF04SC with longer wire lengths.

Wires may act as a source of distortion by picking up capacitive noise. Keep the distance between data logger or amplifier and sensor as short as possible.

In an electrically “quiet” environment the FHF04SC wires may be extended without problem. If done properly, the sensor signal, although small, will not significantly degrade because the sensor resistance is very low (which results in good immunity to external sources) and because there is no current flowing (so no resistive losses).

Wire and connection specifications are summarised below.

**Table 7.1.1** Preferred specifications for wire extension of FHF04SC

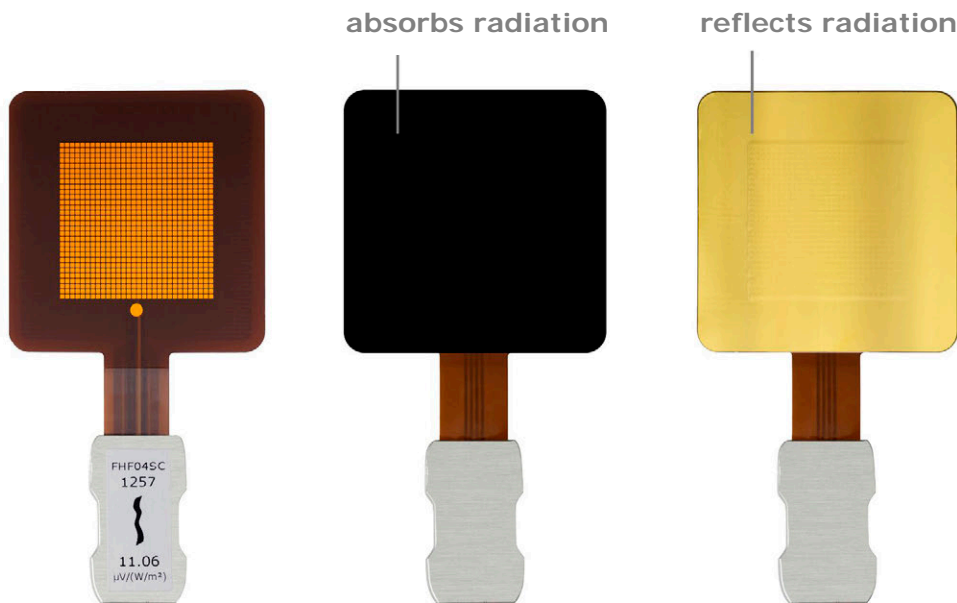
|                      |  |
|----------------------|--|
| Wire                 | 3x copper and 1 x constantan wire, AWG 24, stranded  |
| Extension sealing    | make sure any connections are sealed against humidity ingress  |
| Conductor resistance | < 0.1 $\Omega$ /m (copper wire)  |
| Outer diameter       | typically $1 \times 10^{-3}$ m   |
| Length               | wires should be kept as short as possible, in any case the total wire length should be less than 100 m   |
| Connection           | <p>either solder the new wire conductors to those of the original sensor wire, and make a waterproof connection using heat-shrink tubing with hot-melt adhesive, or use gold plated waterproof connectors.</p> <p>when using connectors, use dedicated type T thermocouple connectors for extending the thermocouple wires</p> |

## 7.2 Appendix on using FHF04SC with BLK – GLD sticker series

BLK-5050 and GLD-5050 stickers are accessories to FHF04 and FHF04SC heat flux sensors. A sensor equipped with a BLK black sticker is sensitive to both radiative and convective heat flux. A sensor equipped a GLD gold sticker reflects radiation and measures convective heat flux only. To calculate the radiative heat flux, subtract the two measurements.

BLK - GLD stickers are designed to be applied by the user. Optionally, it is also possible to order FHF04(SC) with stickers pre-applied at the factory.

For more details, see the BLK – GLD sticker series user manual.



**Figure 7.2.1** FHF04SC heat flux sensor: with BLK-5050 and GLD-5050 stickers

**Table 7.2.1** Recommendations for use of FHF04SC heat flux sensors with BLK – GLD stickers

|                             |  |
|-----------------------------|--|
| Mounting                    | when mounting an FHF04SC with a BLK or GLD sticker, keep the directional sensitivity in mind<br><br>heat flux from the back side to the front side (side with dot) generates a positive voltage output signal. |
| Mounting on curved surfaces | apply BLK – GLD stickers before mounting the sensor  |
| Location                    | avoid direct exposure to the sun   |
| Effect on sensitivity       | no significant influence on sensitivity  |

### 7.3 Appendix on standards for calibration

The standard ASTM C1130 - 17 Standard Practice for Calibrating Thin Heat Flux Transducers specifies in chapter 6 that a guarded hot plate, a heat flowmeter, a hot box or a thin heater apparatus are all allowed. Hukseflux employs a thin heater apparatus, uses a linear function according to X1.1 and uses a nominal temperature of 20 °C, in accordance with X2.2.

The Hukseflux HFPC method relies on a thin heater apparatus according to principles as described in Paragraph 4 of ASTM C1114 - 06, used in the single sided mode of operation described in Paragraph 8.2 and in ASTM C1044 - 16.

ISO does not have a dedicated standard practice for heat flux sensor calibration. We follow the recommended practice of ASTM C1130 - 17.

**Table 7.3.1** *heat flux sensor calibration according to ISO and ASTM.*

| STANDARDS ON INSTRUMENT CLASSIFICATION AND CALIBRATION |   |
|--|---|
| ISO STANDARD   | EQUIVALENT ASTM STANDARD  |
| no dedicated heat flux calibration standard available. | ASTM C1130 - 17 Standard Practice for Calibrating Thin Heat Flux Transducers<br><br>ASTM C 1114 - 06 Standard Test Method for Steady-State Thermal Transmission Properties by Means of the Thin-Heater Apparatus<br><br>ASTM C1044 - 16 Standard Practice for Using a Guarded-Hot-Plate Apparatus or Thin-Heater Apparatus in the Single-Sided Mode |

### 7.4 Appendix on calibration hierarchy

FHF04SC factory calibration is traceable from SI through international standards and through an internal mathematical procedure that corrects for known errors. The formal traceability of the generated heat flux is through voltage and current to electrical power and electric power and through length to surface area.

The Hukseflux HFPC method follows the recommended practice of ASTM C1130 - 17. It relies on a thin heater apparatus according to principles as described in paragraph 4 of ASTM C1114 - 06, in the single sided mode of operation described in paragraph 8.2 and in ASTM C1044 - 16. The method has been validated in a first-party conformity assessment, by comparison to calibrations in a guarded hot plate.

## 7.5 Appendix on correction for temperature dependence

The sensitivity of a FHF04SC depends on the temperature of the sensor. The temperature dependence of the FHF04SC is specified as  $< 0.2 \text{ \%}/^{\circ}\text{C}$ .

The calibration reference temperature is  $20 \text{ }^{\circ}\text{C}$ .

Users that measure at temperatures that deviate much from  $20 \text{ }^{\circ}\text{C}$ , or users that measure over a wide range of temperatures, may wish to correct for this temperature dependence.

To correct for the temperature dependence of the sensitivity, use the measurement function

$$\Phi = U/(S \cdot (1 + 0.002 \cdot (T - 20))) \quad (\text{Formula 7.5.1})$$

with  $\Phi$  the heat flux in  $\text{W}/\text{m}^2$ ,  $U$  the FHF04SC voltage output in  $\text{V}$ ,  $S$  the sensitivity in  $\text{V}/(\text{W}/\text{m}^2)$  at  $20 \text{ }^{\circ}\text{C}$  and  $T$  the FHF04SC temperature.

$S$  is shown on the product certificate and on FHF04SC's metal connection block.

## 7.6 Appendix on measurement range for different temperatures

The measurement range of FHF04SC is specified as (-10 to +10) x 10<sup>3</sup> W/m<sup>2</sup> at 20 °C heat sink temperature. This is a very conservative specification.

In reality, the rated operating temperature continuous range of +120 °C is the limiting specification. The sensor temperature T in °C in a specific application depends on the heatsink temperature T<sub>heatsink</sub> in °C, the heat flux Φ in W/m<sup>2</sup> and the thermal resistance per unit area R<sub>thermal,A</sub> of the sensor in K/(W/m<sup>2</sup>).

$$T = T_{\text{heatsink}} + \Phi \cdot R_{\text{thermal,A}} \quad (\text{Formula 7.6.1})$$

This means the measurement range is lower for higher heat sink temperatures.

$$\Phi_{\text{maximum}} = (120 - T_{\text{heatsink}}) / R_{\text{thermal,A}} \quad (\text{Formula 7.6.2})$$

Table 7.5.1 shows measurement ranges for different heat sink temperatures. For applications where the sensor is not mounted on a heatsink, use the ambient temperature instead of heatsink temperature.

**Table 7.6.1** measurement range for different heat sink temperatures

| HEATSINK TEMPERATURE | MEASUREMENT RANGE                     |
|----------------------|---------------------------------------|
| 20 °C                | 46 x 10 <sup>3</sup> W/m <sup>2</sup> |
| 40 °C                | 39 x 10 <sup>3</sup> W/m <sup>2</sup> |
| 60 °C                | 32 x 10 <sup>3</sup> W/m <sup>2</sup> |
| 80 °C                | 25 x 10 <sup>3</sup> W/m <sup>2</sup> |
| 100 °C               | 18 x 10 <sup>3</sup> W/m <sup>2</sup> |

## 7.7 Appendix on temperature measurement accuracy

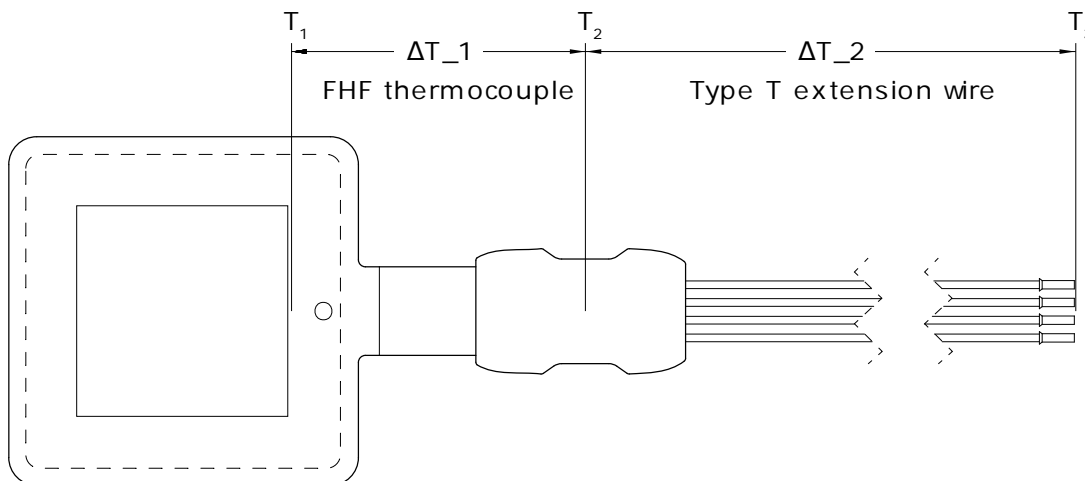
FHF04SC has an integrated thermocouple to measure temperature of the object under test. This thermocouple is supplied as a secondary measurement, in addition to the main heat flux measurement.

The FHF04SC thermocouple wires are specified as a type T thermocouple, IEC 60584-1:2013 class 2.. They consist of a positive copper (Cu) wire and a negative constantan (Cu<sub>55</sub>Ni<sub>45</sub>) wire. Accuracy is  $\pm 2\%$  for temperature differences between  $T_2$  and  $T_3$ .

In the FHF04SC sensor, the thermocouple junction ( $T_1$ ) consists of copper and constantan traces that are extended from the metal connection block to the edge of the heat flux sensor with type T etched traces of a lower accuracy. The traces have slightly different Seebeck coefficients compared to the wires, which results in a higher measurement uncertainty of  $\pm 5\%$  for temperature differences between  $T_1$  and  $T_2$  junctions.

The overall measurement uncertainty from  $T_1$  to  $T_3$  are the combined uncertainties between the two junctions:  $\sqrt{2\%^2 + 5\%^2}$ . We summarize this as  $\pm 5\%$  uncertainty of the actual temperature in degree Celsius, but users may achieve better results if junction  $T_1$  is kept close to  $T_2$ .

If the temperature measurement is critical, we recommend to make sure  $T_1 = T_2$  or if this is not possible, the use of a separate temperature sensor.



**Figure 7.7.1** FHF04SC thermocouple

## 7.8 EU declaration of conformity



We, Hukseflux Thermal Sensors B.V.  
Delftechpark 31  
2628 XJ Delft  
The Netherlands

in accordance with the requirements of the following directive:

2011/65/EU, The Restriction of Hazardous Substances Directive  
(EU) 2015/863

hereby declare under our sole responsibility that:

Product model: FHF04SC  
Product type: Foil heat flux sensor

has been designed to comply and is in conformity with the relevant sections and applicable requirements in the directive under typical conditions of use as defined in product specifications.

A handwritten signature in blue ink, appearing to be 'E. Hoeksema', written over a faint grid background.

Eric HOEKSEMA  
Director  
Delft  
June 29, 2021



